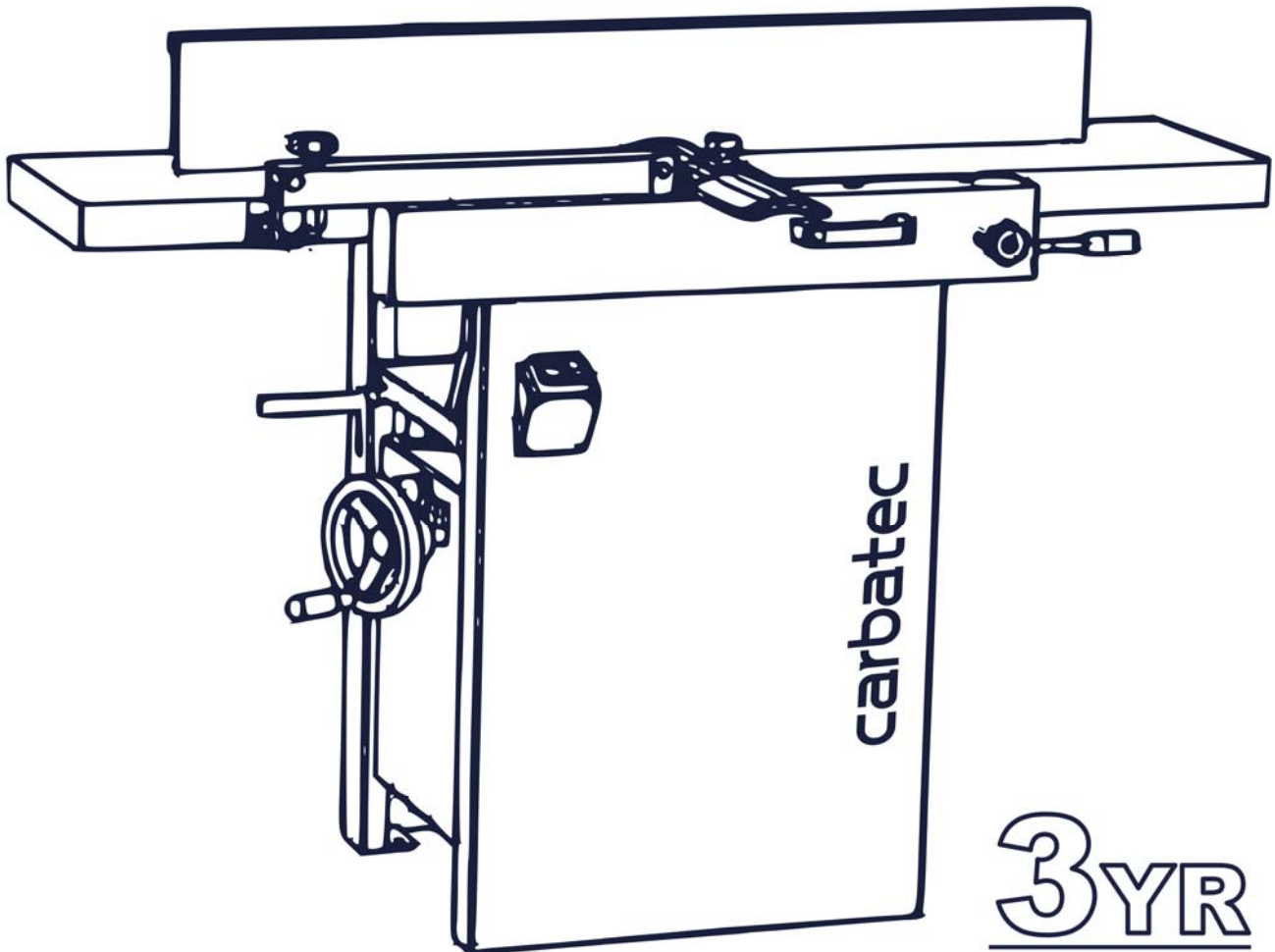


# carbatec



**3YR**  
WARRANTY

## **OWNERS MANUAL**

**250mm Industrial Thicknesser / Jointer  
with Helical Cutterhead**

**TJ-X250C**

# Foreword

These instructions have been created by the device manufacturer and are an integral part of the machine delivery. They contain basic information for qualified operating staff and describe the environment and manners of the machine use for which it has been designed, and also contain any information necessary for the correct and safe operation.

The machine is equipped with various safety devices protecting both the operator and the machine for its common technological use. Nevertheless these measures cannot cover all safety aspects and therefore it is necessary that the operator should read and understand these instructions before starting to use the machine. Errors made in the course of installation as well as during operation itself will thus be avoided.

**Do not try therefore to put the machine into operation before you have read all instructions for use supplied together with the machine and before you have understood all its functions and working procedures.**

Certain information or drawings may not be intended directly for the machine purchased by you as these instructions contain any information for various variants of this type made by our company. By comparing the respective part of the instructions with a particular machine you will find out whether or not they correspond to each other.

*The manufacturer reserves the right to make partial alterations within continuous technical machine development.*

## Use of the machine

### Purpose of the machine

The machine is designed as a combined planer and thicknesser machine for use in joiners shops(plants) at lengthwise (related to wood fibres) processing of wood and materials on its base within workpiece width of 260 mm.

The machine is designed for operation performed by one worker only.

**The machine may not be handled by children and youngsters in any manner.**

### Workers' qualifications

Only an expert skilled in the field of wood-machining or a worker instructed and trained by such expert may operate the machine, regardless of the sex. While working on the machine the operator must get familiar with these instructions and comply with any safety rules, regulations and provisions in force in the respective country.

## Working environment

The machine must be operated in a workshop environment the temperature of which does not exceed +40°C and does not drop below +5°C. The relative humidity of ambient is from 30% to 95%, non-condensing. The height above the sea level is up to 1000 m.

Storage and transportation temperature: -25~55°C

The environment classification

- danger of inflammable dust fire.

## Safety instructions

### General

This machine is equipped with various safety devices protecting both the operator and the machine. Nevertheless, this cannot cover all safety aspects and therefore the operator, before putting the machine into operation, must read this chapter and understand it fully. Furthermore the operator must also take into account other aspects of danger relating to the surrounding conditions and material.

### Basic safety requirements

- Before connecting the machine to the mains make sure that all safety items are in their active positions and check their functioning. If it is necessary to remove the doors or protective covers, turn off the switch and disconnect the plug from its socket.
- Kick-back catchers must be freely movable and their functioning must be checked regularly, maybe several times a day.
- Do not connect the machine to the mains while the door or protective cover is removed.
- In order to avoid improper operation get acquainted with the location of switches before switching the machine on.
- Remember the position (location) of the emergency stop switch so that you can use it promptly at any time.
- Be careful and do not touch any switches while the machine is being operated.
- Do not touch any rotating tool by hands or with any other object under any circumstances.
- In the case that you are not going to work on the machine, turn off the machine by the switch and disconnect the plug from the supply socket.
- Before cleaning the machine, switch off the machine and disconnect the plug of the machine.
- Before doing any maintenance work inside the machine, switch off the machine and disconnect the plug of the machine.
- Do not alter the machine in any manner which might cause any risk to its safe operation.
- If you have any doubts on correctness of your procedure, contact a responsible person.

- Do not neglect performance of regular inspections in accordance with the instructions for use.
- Check and make sure that no disturbances occur on the machine caused by the user.
- After the work is finished, adjust the machine so that it is ready for another series of operations.
- Should a failure in power supply occur, switch off the machine immediately.
- Do not paint, make dirty, cause any damage to, alter or remove safety plates. If they become illegible or lost, contact the manufacturing plant and renew the plates.
- Keep work area clear. Cluttered areas and benches cause injuries.
- Consider work area's environment. Do not expose tools to rain. Do not use tools in damp or wet location. Keep work area well lighted .Do not use tools in the presence of flammable liquids or gases.

## Clothes and personal safety

- Experience shows that injuries are caused by various personal articles, e.g. rings, watches, bracelets, necktie etc. Therefore take them off before starting the work, button the sleeves, take off a tie, which may be caught with various parts of the working machine. Wear hair protection and fasten hair properly to avoid catching by moving part. Wear suitable tight cloth, shoes recommended or prescribed by labour-safety regulations of all countries.
- Wear safety outfit (goggles, apron, safety shoes, hearing protection etc.).
- In the case of any obstacles above your head – in the working area – wear a helmet.
- Always wear a protective mask while machining any material that produces dust while being machined.
- Never wear any loose working clothes.
- Do not work on the machine under influence of drugs or alcohol, and when you are tired.

## Safety regulations for operators

Do not put the machine into operation before you get acquainted with the contents of the instructions for use.

- Make sure that electric cables are not damaged so that injuries caused by electric current leaking (electric shocks) are avoided.
- Check regularly that safety covers are mounted properly and that they are not damaged. Repair damaged covers immediately or replace with other ones by a qualified person.
- Do not put the machine into operation with the cover removed.
- Never use any tools that are distorted, broken or blunt.
- Always use the tool suitable for the work given, which corresponds to the machine specifications. The tools, cutter blocks, must be in accordance with EN 847-1.
- Replace blunt tools as soon as possible, as blunt tools may cause injuries or damage.
- Never use the tools at speeds higher than their recommended rated speeds by the respective manufacturer.
- Stop all functions of the machines before replacing tools and pull out the plug from the supply socket.

- Do not remove or interfere otherwise in safety devices such as covers, limit switches.
- While handling parts above your possibilities, ask for helps from a qualified person.
- It is not recommended to work on the machine during a storm.

## Safety regulations for maintenance

Maintenance and repair must be performed by a qualified person. Do not do maintenance work before you get acquainted with the instructions for maintenance thoroughly.

- Before you start to perform any maintenance work, always turn off the switch and pull out the plug from supply socket. A possibility of accidental putting the machine into operation by another person is thus avoided.
- Any maintenance work on electric parts of the equipment may be done by a qualified person only.
- Even if the machine is stopped, the power supply is not disconnected. Always disconnect the plug from supply socket.
- Do not clean the machine or its peripheral devices even if the machine is completely out of operation, unless the plug has been disconnected from supply socket. Keep your fingers in a distance from belts and belt pulleys.
- While replacing electrical parts of the equipment, turn off the switch and disconnect the plug from supply socket. Faulty parts should be replaced only with products having the same specifications as the original ones.
- Do not remove or interfere otherwise in safety devices such as covers, limit switches, and do not block them mutually.
- Do not switch the machine on before all covers removed for the purposes of maintenance are put in their places again.
- Always keep the maintenance area including the working place clean.
- Any maintenance work must be done by a qualified staff in accordance with the instructions issued by the machine manufacturer.
- Read the instruction manual for maintenance men carefully and completely.
- For replacement of parts and necessary things, get in advance those being identical with the original type and complying with standards.
- Use only specified kinds or lubricating oils and grease or those equivalent to them.
- If any belt in the set of belts used gets longer than the limit prescribed, replace the whole set completely.
- Do not use compressed air to clean the machine or to remove chips.
- Always check the results while a responsible person is present.

## Safety regulations for place of work

- Always ensure a sufficient working area and free access to the machine and peripheral devices.
- Put tools and any other obstacles in the place designed for this purpose, in a distance from the machine.
- Ensure sufficient lighting in the working area which will not create shadows or cause the stroboscopic effect. For safe and quality work the hygienic standards specify the minimum intensity 500 lux.

- Never put any tools or any other objects on working tables or covers.
- Always keep the working area clean and tidy.

# Transport and storage

## Transport and storage

While transporting or handling the machine, be most careful and let this activity be done by qualified personnel especially trained for this kind of activity.

**While the machine is being loaded or unloaded, make sure that no person or subject gets pressed by the machine !**

**Do not enter the area under the machine lifted by a crane or a high-lift trolley!**

During transporting or storing the machine, means must be taken to protect the machine against excessive vibrations and humidity.

It should be stored in a shelter at temperatures ranging from  $-25^{\circ}$  C to  $55^{\circ}$  C.

As standard, the machine is wrapped up in a plastic tray and is transported this way. Upon request the machine may also be packed in a robust wooden box.

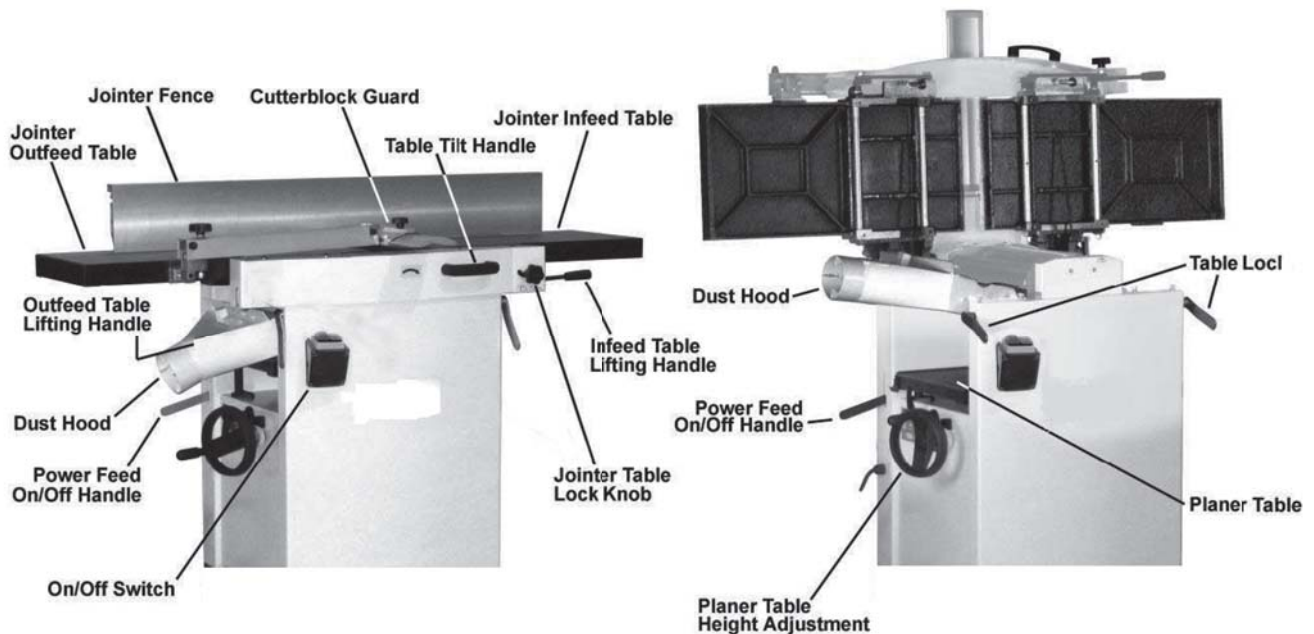
# Technical specifications

Machine Length	mm	1125
Machine width	mm	700
Machine height	mm	955
Table height	mm	830
Table of planing machine	mm	1125X260
Table of thicknessing machine	mm	545X258

Machine weight	kg	225
Rated voltage	V	230
Rated frequency	Hz	50
Cutter block $\emptyset$	mm	70
Cutter block knives number	pcs.	3
No load cutter block rotation speed	$\text{min}^{-1}$	5500
Feeding rollers $\emptyset$	mm	32
Max. planing width	mm	260
Max. depth of planing	mm	3
Angle of workpiece fence		$0^{\circ}-45^{\circ}$
Max. thicknessing width	mm	258
Max. depth of thicknessing	mm	4.5
Max. workpiece height of thicknessing	mm	225
Feeding speed	m/min	5.5
Motor power output	kW	1.5



## Features and Terminology



## Receiving

Carefully unpack the machine and any loose items from the wood crate and inspect for damage. Any damage should be reported immediately to your distributor and shipping agent. Before proceeding further, read your manual thoroughly to familiarize yourself with proper assembly, maintenance and safety procedures. Remove the screws that hold the machine to the shipping skid. Remove the protective coating from the table, bed rolls, feed rolls, cutterhead and loose items packed with the machine. This coating may be removed with a soft cloth moistened with kerosene. Do not use acetone, gasoline or lacquer thinner for this purpose. Do not use solvents on plastic parts.

## Unpacking

1. Remove all contents from the shipping carton. Do not discard the carton or packing material until the machine is set up and running satisfactorily.
2. Inspect the contents for shipping damage. Report damage, if any, to your distributor.

*Tools Required for Assembly*

- 1 Accurate Straight Edge (approximately 2 ft)**
- 1 Cross-point Screwdriver**
- 1 4mm Hex Wrench (included)**
- 1 5mm Hex Wrench**

**1 6mm Hex Wrench (included)**

**1 10mm Box Wrench**

**1 13mm Box Wrench**

**Note:** Use of sockets and ratchets will speed assembly time but are not required.

## **Electrical Connection**

**All electrical connections must be done by a qualified electrician. All adjustments or repairs must be done with the machine disconnected from the power source, unplugged. Failure to comply may result in serious injury!**

The TJ-X250C and TJ-X300C Thicknesser / Jointers are designed for use when connected to 230V circuits, fitted with a 15 Amp power outlet. DO NOT use on 10A circuits, or modify the machine to allow connection to these lesser rated circuits.

## **Operating Controls**

**Disconnect machine from power source before making any adjustments. Failure to comply may cause serious injury.**

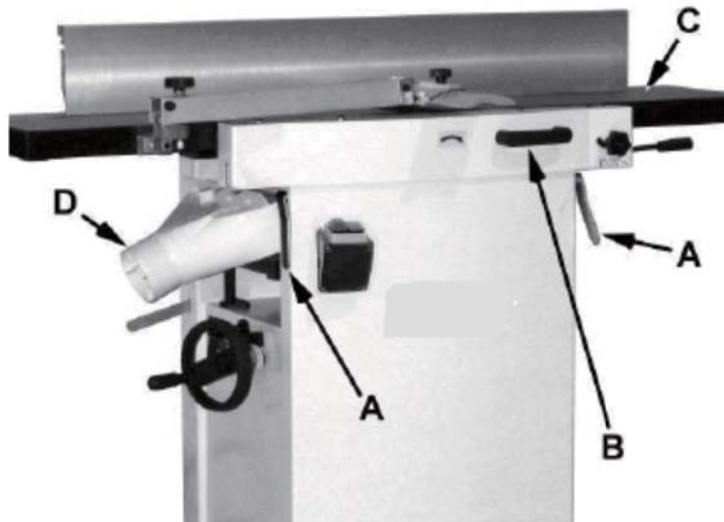
**Cutterhead knives are dangerously sharp. Use extreme caution when working around them. Failure to comply may cause serious injury.**

### **Jointer to Planer Setup**

To change the machine configuration jointer to planer (refer to Figure 2):

1. Release both cabinet table locks (A) by rotating the handles toward the operator, then pulling away from the machine.
2. Raise the table (C) using the handle (B).





*Figure 2*

**Table is heavy. Use care when raising. Failure to comply may cause serious injury.**

When raised, the table should be in the vertical position as shown in C, Fig. 3. The latch (E, Fig. 3) should be engaged, preventing the table from an accidental forward fall.

3. Position the dust chute (D,H Fig. 3) to the right. Use extreme care to avoid contact with cutterhead knives.

Note: The planer table may need to be lowered to allow clearance needed to position the dust chute.

### **Planer to Jointer Setup**

Referring to Figure 3: To change the machine configuration from planer to jointer:

1. Pull the release knob (F) and reposition the dust chute (D, G) to the left. It should be positioned as shown in D, Fig. 2.

**Table is heavy. Use care when lowering. Failure to comply may cause serious injury.**

2. Release the latch (E) and bring the table forward using the tilt handle (B). It should be positioned as shown in C, Fig. 2.

3. Lock the table (C) by pushing the lock handles (A) in toward the machine and rotating down (away from the operator).

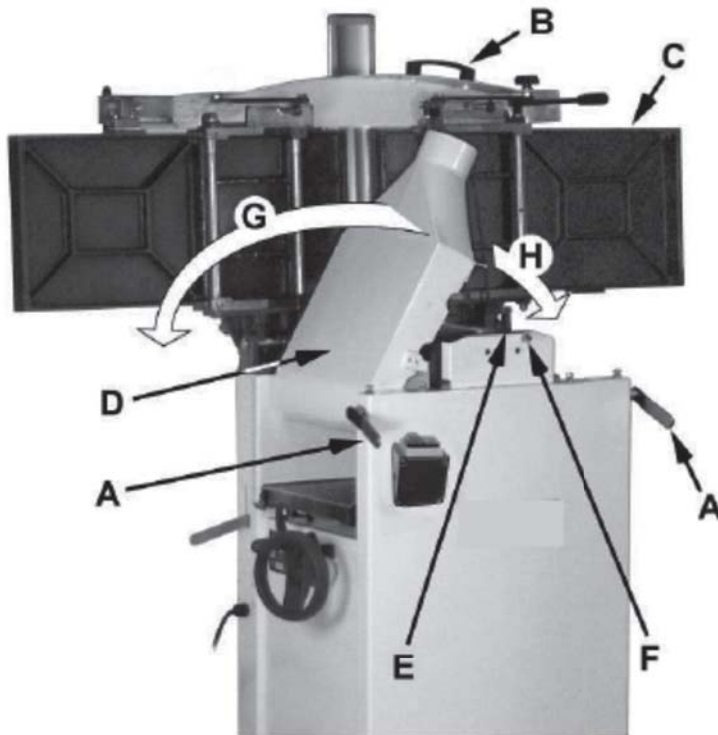


Figure 3

### Power

Once a properly rated plug is connected, plug power cord into outlet. Press the green on button (A, Fig. 4) to start. Press the red off button (B, Fig. 4) to stop.

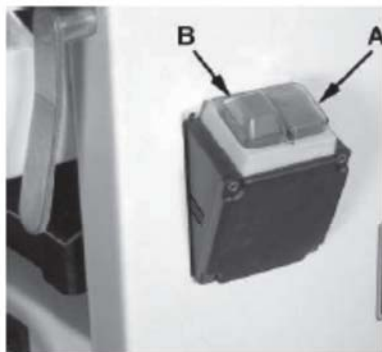


Figure 4

### Planer Controls and Adjustments

Referring to Figure 5:

#### Power Feed

Placing the planer power feed handle (D) in the up position turns the planer power feed on (see arrow). Placing the handle in the down position turns the power feed off.

### **Table Lock**

Turn the table lock (E) clockwise to lock the height adjustment handwheel (F) and secure the planer table (C) in its selected position. Turn the table lock (E) counterclockwise to release and permit table adjustment.

### **Table Height Adjustment**

The planer table height is set as follows:

1. Unlock the table lock (E).
2. Rotate the height adjustment handwheel (F) clockwise to raise the planer table (C), counterclockwise to lower.
3. Lock the table lock (E). Each revolution of the handwheel (F) results in a 4mm up or down movement of the table (C). A scale on the handwheel column indicates the amount of handwheel rotation. A pointer (B) indicates the table position relative to the cutterhead on the scale (A) located on the side of the cabinet.

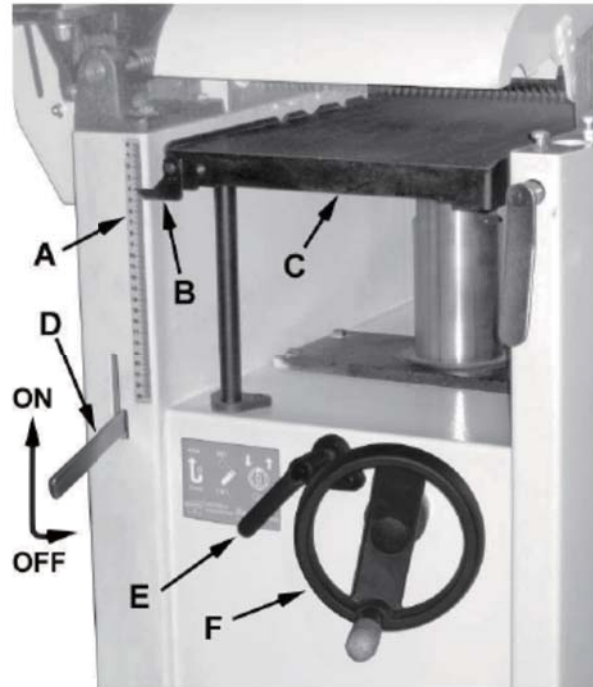


Figure 5

### **Jointer Controls and Adjustments**

Referring to Figure 6:

#### **Infeed Table Height Adjustment**

Lock knob (D) and lifting handle (E) control the height adjustment of the infeed table (F). To adjust:

1. Loosen lock knob (D).
2. Raise the lifting handle (E) to raise the infeed table for a shallow depth of cut. Lower the handle for a deeper cut.
3. Tighten the lock knob (D).

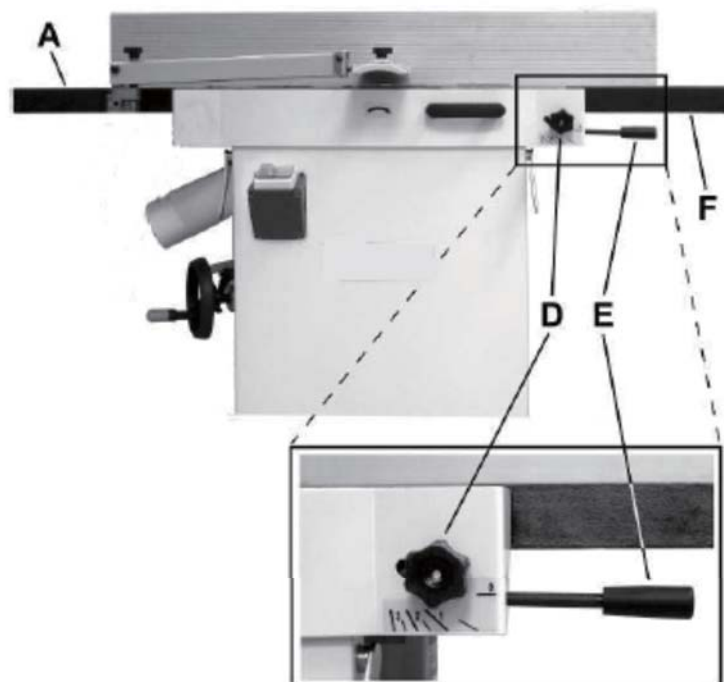


Figure 6

**Note:** A depth of cut of 1.5mm or less is recommended.

### **Cutterhead Guard**

Properly positioned, the cutterhead guard (H) should rest against the fence (A).

### **Fence Movement**

Referring to Figure 7:

The fence (A) can be moved forward (B) or backward (C) across the width (W) of the table. It also tilts up to 45 degrees backwards (D).

Loosen the lock knob (J), slide the guard into position, then tighten the lock knob. To slide fence forward or backward: When edge jointing, the fence assembly should periodically be moved to different positions to distribute wear on the cutterhead knives. This is done as follows:

1. If necessary, loosen the cutterhead guard (H) to permit the fence assembly to move freely without being constrained by the guard.

2. Loosen two fence assembly locking handles (E).

3. Move the entire fence assembly to the desired position; then re-tighten the handles (E).

4. Readjust and secure the cutterhead guard. To tilt fence backward:

The fence (A) can be tilted backward (D) up to 45° (that is, for a total included angle of 135° from table surface) as follows:

1. Loosen locking handles (F).

2. Tilt the fence back (A, C) to the desired angle up to 135 degrees. Or you can place your beveled reference piece on the table and against the fence, adjusting the fence until the angle of the fence matches the bevel of your gauge piece.

3. Tighten the locking handles (F).

4. Readjust and secure the cutterhead guard.

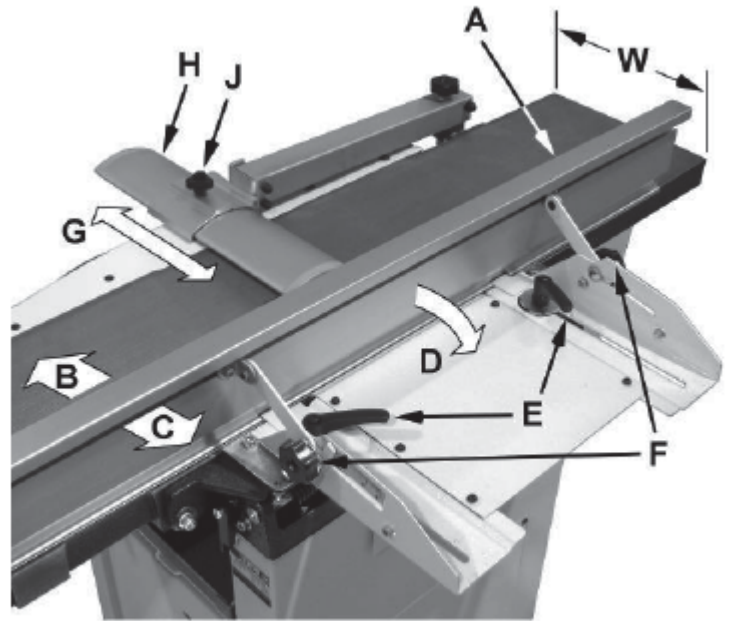


Figure 7

## **Adjustments**

### **Table and Knife Adjustments**

For accurate jointing, at least three things must be true:



1. Infeed and outfeed tables must be coplanar.
  2. Knives or knife inserts must be set in the cutterhead so that the highest point of their arc is level with the outfeed table.
  3. On the standard cutterhead, knives must be parallel with the outfeed table across the entire length of the knives.
- These alignments are explained below.

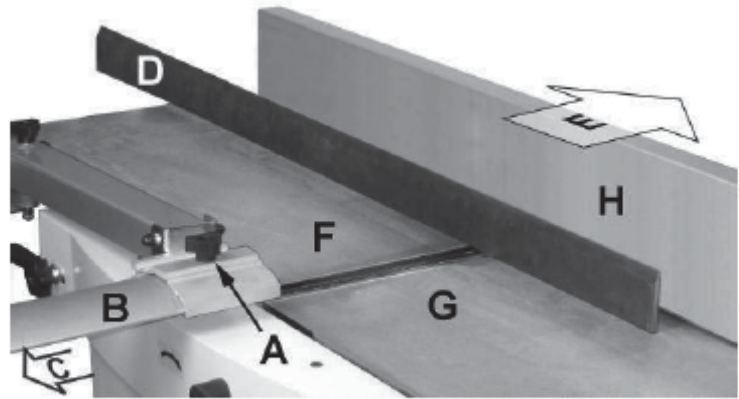


Figure 8

**Disconnect machine from power source before making any adjustments. Failure to comply may cause serious injury.**

## Coplanar Alignment

### *Definition of coplanar*

When the infeed table is set to the same level as the outfeed table and together both tables form a "perfect" flat surface, the tables are said to be coplanar. For optimum performance of the jointer, the infeed and outfeed tables must be coplanar. If they are not, the finished workpiece may have a slight taper or twist across jointed its width or length.

### *Determining if tables are coplanar*

The tables have been set coplanar at the factory, but they should be double-checked by the operator. Also, as the machine undergoes use, the tables should be checked occasionally and adjusted if necessary.

The procedure described below uses a steel straight edge to set the tables, which should be accurate enough for most purposes.

**Important:** The tables must be locked in position when performing the following test.

Referring to Figures 8 and 9:

1. Disconnect jointer from power source.
2. Loosen the lock knob (A) and slide the cutterhead guard (B, C) to clear the table.
3. Slide the fence assembly back (H,

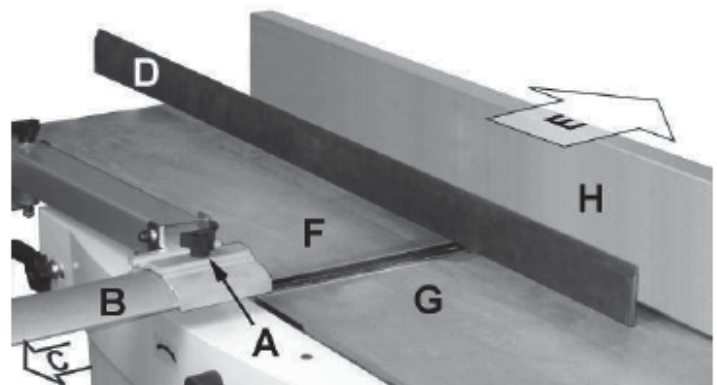
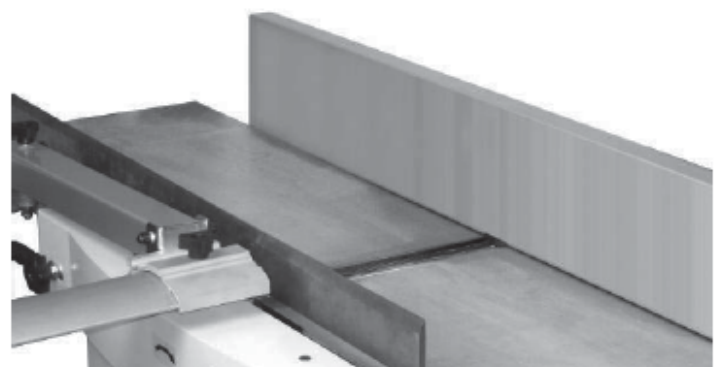


Figure 8



- E) as far as it will go, or remove it from the machine entirely.
4. Rotate the cutterhead to avoid knife interference.
  5. Place a straight edge (D) across the front of the outfeed table (F) and extending over the infeed table (G). Note the position of the infeed table (G). Note the position of the straight edge in Figure 6 with respect to the fence (H).
  6. Raise the infeed table (G) until it contacts the straight edge (D).
- The straight edge should lie level across both tables. Move the straight edge to the back of the outfeed table as shown in Figure 7 and perform the same test. If the straight edge does not lie level, the front or back of one of the tables must be adjusted to make the tables coplanar. Proceed as described in

### **Performing the Coplanar Alignment**

If alignment is required as determined in the previous section, proceed as follows:

**Disconnect machine from power source before making any adjustments. Failure to comply may cause serious injury.**

1. Disconnect power from machine.
  2. Unlock both cabinet lock handles (A2).
  3. Raise the table (D) fully upright.
- Adjustment is performed by means of four setscrews (B2) that adjusts the table pitch and tilt at the back (towards the fence) and two hex cap screws (A1) that adjusts the table toward the front.

Adjustment can consist of a front adjustment, rear adjustment or (more probable) a combination of both.

### **Rear adjustment**

Tools required – 13mm wrench, 4mm hex wrench

1. With a 13mm wrench, loosen three hex cap screws (B1).
2. Using a 4mm hex wrench, make very slight adjustments of 1/8 to 1/4 turns to four setscrews (B2) as required. A clockwise turn will raise the table; a counterclockwise turn will lower the table. Adjusting the two right setscrews will have greatest adjustment impact to the table's right side; adjusting the two left setscrews will have greatest adjustment impact to the table's left side.
3. When adjustment is complete, tighten the hex cap screws (B1)

### **Front adjustment**

Tools required – two 13mm wrenches

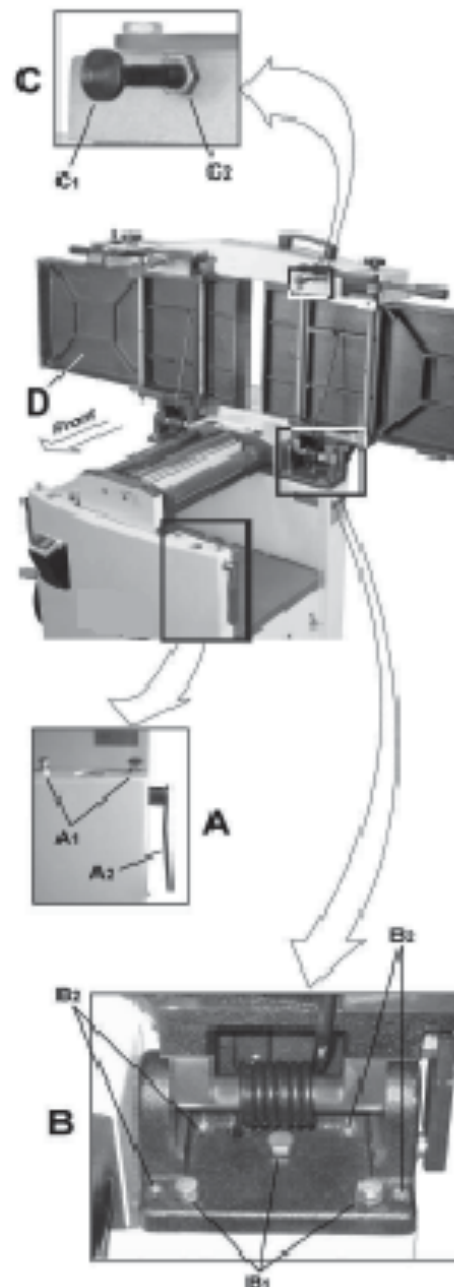


Figure 10



1. Hold the hex cap screws (A1) in place with one wrench while using the other to loosen the locking hex nuts.
2. Adjust the screws (A1) slightly from 1/8 to 1/4 turn. A counterclockwise turn will raise the table; a clockwise turn will lower the table. Adjusting the right screw will have greatest adjustment impact to the table's right side; adjusting the left screws will have greatest adjustment impact to the table's left side.
3. When adjustment is complete, secure by tightening the hex nut while maintaining the position of the screw with the second wrench. It may be necessary to repeat the exercise in this section more than once to achieve co-planar alignment.

**Note:** If the tables do not lock properly after the adjustment, see Jointer Table Lock Handle Adjustment on page next.

## **Setting Cutterhead Knives**

**Important:** Before performing any adjustments in this section, the infeed and outfeed tables must be coplanar.

**Cutterhead knives are dangerously sharp! Use extreme caution when inspecting, removing, sharpening or replacing knives into the cutterhead. Failure to comply may cause serious injury**

Replacing or rotating knife inserts (helical cutterhead only)

The knife inserts on the model TJ-X300C are four-sided. When dull, simply remove each insert, rotate it 90° for a fresh edge, and re-install it. Use the provided star point Torx screwdriver to remove the knife insert screw. It is advisable to rotate all inserts at the same time to maintain consistent cutting. However, if one or more knife inserts develops a nick, rotate only those inserts affected. Each knife insert has an etched reference mark to keep track of the rotations. An extra set of 5 knife inserts and knife insert screws are included with your TJ-X300C.

**IMPORTANT:** When removing or rotating inserts, clean saw dust from the screw, the insert, and the cutterhead platform. Dust accumulation between these elements can prevent the insert from seating properly, and may affect the quality of the cut. Before installing each screw, lightly coat the screw threads with machine oil and wipe off any excess. Excess oil & grease can in and on threads of screws and in cutterhead holes, can prevent the screws being correctly tightened and the blade from being seated correctly.

Securely tighten each screw which holds the knife inserts before operating the planer. Knife inserts should be torqued to approximately 50 to 55 inch-pounds. Make sure all knife insert screws are tightened securely. Loose inserts can be propelled at high speed from a rotating cutterhead, causing injury.

## Jointer Table Lock Handle Adjustment

For best performance, the jointer table lock handles (A2) should be approximately in the fully down position when in the locked position. If adjustment is required:

1. Disconnect machine from power source.
2. Unlock the lock handle (A2) and raise the table to the upright position.
3. Loosen locking nut (C2) with an 18mm wrench.
4. Adjust the table locking shaft (C1) in increments of 1/4 turns or less. Turn clockwise to tighten the lock handle performance and counterclockwise to loosen.
5. Tighten the locking nut (C2).
6. Test the locking function and repeat if necessary.

## Belt Replacement

**Disconnect machine from power source before making any adjustments.**

**Failure to comply may cause serious injury.**

### *Preparation*

To replace the cutterhead drive belt and/or the planer feed-roller belt, the jointer fence assembly and two back panels must first be removed as described below. A 4mm hex wrench and two 13mm wrenches are required.

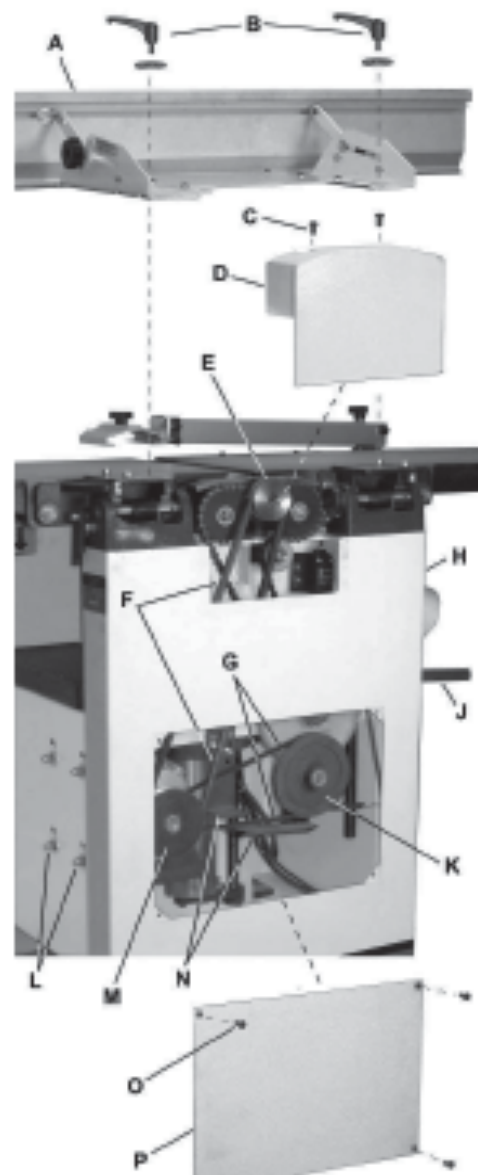
1. Remove the jointer fence assembly (A) by first loosening and removing two lock handle assemblies (B). A 4mm hex wrench is helpful, but not necessary.
2. Remove two button head socket screws (C) and upper back panel (D).
3. Remove four button head socket screws (O) and lower back panel (P).

### *Cutterhead Drive Belt Replacement*

4. Loosen four motor mount screws (L). Lift the motor and rest it in the horizontal slot side of the motor mount opening. This will create a slack in the cutterhead drive belt (F).
5. Remove the cutterhead drive belt (F) from around the cutterhead pulley (E) and motor pulley (M).
6. If the feed-roller belt (K) is to be replaced, continue. Otherwise proceed to step 10.

### *Feed-roller Belt Replacement*

**Note:** If the feed-roller belt is to be replaced, steps 1–5 must be performed to remove the cutterhead drive belt before the feed-roller belt can be



replaced.

7. Place the power feed handle (J) in the down (off/disengaged) position, which provides belt slack for the next step.

8. Remove the feed-roller belt (G) from around the feed-roller pulley (K) and motor pulley (M).

9. Loop the new belt around the smaller (inner) motor pulley (M) and feed-roller pulley (K).

**Note:** The lower stretch of the feed-roller pulley must be positioned between the beltbrake plates (N).

#### **Concluding Steps**

10. Replace the cutterhead drive belt (F) by looping it around the cutterhead pulley (E), then the larger (outside) motor pulley (M).

11. Slide the motor so the mounting screws (L) rest back in the vertical slot openings, then tighten the mounting screws.

12. Replace the lower back panel (P) and secure with four button head socket screws (O).

13. Replace the upper back panel (D) and secure with two button head socket screws (C).

14. Replace the jointer fence assembly (A) and secure with two lock handle assemblies (B).

#### **Planer Table Adjustment**

**Disconnect machine from power source before making any adjustments.**

**Failure to comply may cause serious injury.**

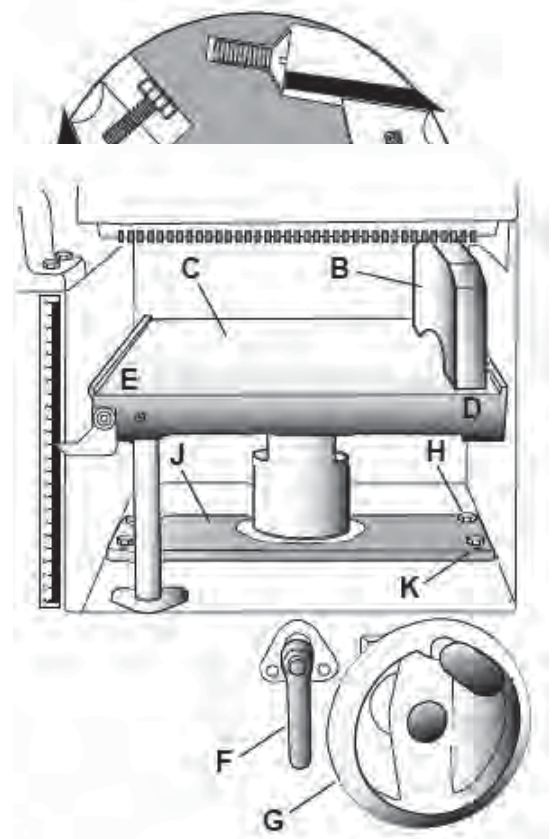
#### **Checking Planer Table Parallel to Cutterhead**

The planer table is set parallel to the cutterhead at the factory and no further adjustment should be needed. If your machine is planing a taper, first check to see if the knives are properly adjusted in the cutterhead (see Setting Cutterhead Knives on page 14) and make adjustments if necessary. After the knives are confirmed to be properly set, check to see if the work table is set parallel to the cutterhead as follows.

1. Disconnect machine from power source.
2. Rotate the cutterhead such that one of the knife blades (A, Fig. 14) is at the 6 o'clock position.

Referring to Figure 15:

3. Place a gauge block (B) or another measuring device on the work table (C) at one edge (D) directly under the cutterhead.
4. Unlock the table lock handle (F).



5. With the handwheel (G), gently raise the table (C) until the gauge block (B) makes slight contact with the tip of the knife blade, then lock the table.

6. Move the gauge block (B) to opposite end of table (E).

If the distance from the table to tip of the knife blade is the same at both ends, the table is parallel to the cutterhead.

#### ***Adjusting Work Table Parallel to Cutterhead***

If the work table is not parallel to the cutterhead, perform the adjustment procedure as follows:

7. With a 13mm wrench, loosen four hex cap screws (H) located at each corner of the column support (J).

8. Bring the table parallel to the cutterhead by adjusting four setscrews (K) located at each corner of the column support (J) next to the hex cap screws (H).

9. Repeat steps 3 – 6, and if further adjustment is necessary, repeat steps 8, 9.

10. When the table is determined to be parallel to the cutterhead, tighten the hex cap screws (H).

## **Basic Operations**

### **Dust Collection**

Before initial operation, the machine must be connected to a dust collector.

### **Initial Startup**

After the assembly and adjustments are complete the planer is ready to be tested. Turn on the power supply at the main panel. Press the Start button. Keep your finger on the Stop button in case of a problem. The planer should run smoothly with little or no vibration or rubbing noises. Investigate and correct the source of any problems before further operation.

**DO NOT attempt to investigate or adjust the planer while it is running.**

**Wait until the planer is turned off, unplugged and all working parts have come to a complete standstill.**

### **Changing Mode of Operation**

When changing the operating mode (planer to jointer and back) the machine must be turned off and at a complete standstill. To change the mode of operation, see sections Jointer to Planer Setup and Planer to Jointer Setup.

### **Jointer Operations**

#### ***Correct operating position***

The operator must be positioned offset to the infeed table (Figure 16).

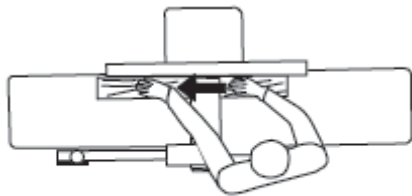


Figure 16

### **Hand placement**

Referring to Figure 16:

At the start of the cut, the left hand holds the workpiece firmly against the infeed table and fence while the right hand pushes the workpiece in a smooth, even motion toward the cutterhead. After the cut is under way, the new surface rests firmly on the outfeed table. The left hand is transferred to the outfeed side (Figure 16) and presses down on this part of the workpiece, at the same time maintaining flat contact with the fence. The right hand presses the workpiece forward and before the right hand reaches the cutterhead it should be moved to the work on the outfeed table.

### **Surfacing**

The purpose of planing on a jointer is to produce one flat surface (Figure 17). The other side can then be milled to precise, final dimensions on a thickness planer resulting in a board that is smooth and flat on both sides and each side parallel to the other.

If the wood to be jointed is cupped or bowed, place the concave side down, and take light cuts until the surface is flat.

Never surface pieces shorter than 300mm or thinner than 10mm, without the use of a special work holding fixture or push blocks

Never surface pieces thinner than 75mm without the use of a push block.

Cuts of approximately 1.5mm at a time are recommended, which provides for better control over the material being surfaced. More passes can then be made to reach the desired depth.

### **Direction of Grain**

Avoid feeding work into the jointer against the grain (Figure 18).

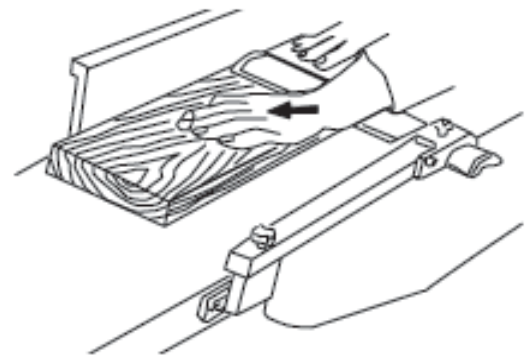


Figure 17

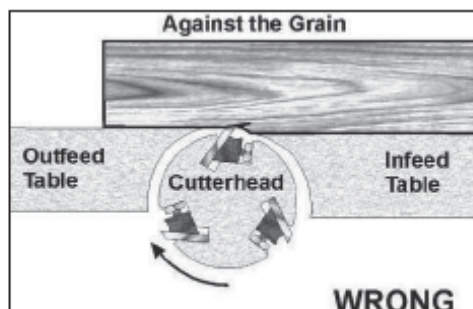


Figure 18

2. Inspect stock for soundness and grain direction (refer to Direction of Grain on previous page).
3. Set the infeed table for a cut of approximately 1.5mm.
4. If the board is bowed (curved), place the concave edge down on the infeed table.
5. Feed the stock through the cutterhead, making sure the face of the stock is completely flat against the fence and the edge is making solid contact on the infeed and outfeed tables (Figure 21).

For wood wider than 75mm – hold with fingers close together near the top of the stock, lapping over the board and extending over the fence. For wood less than 3 inches wide – use beveled push blocks and apply pressure toward the fence. Keep fingers near top of push block. Several passes may be required to achieve the full bevel will probably take several passes.

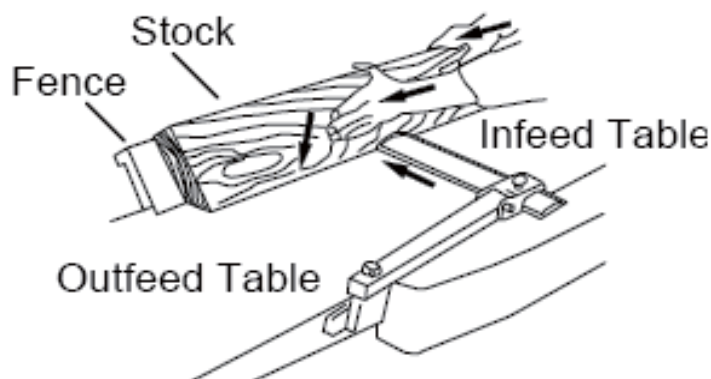


Figure 21 – Beveling

## Planer Operations

### *Depth of Cut*

Thickness planing refers to the sizing of lumber to a desired thickness while creating a level surface parallel to the opposite side of the board. Board thickness that the planer will produce is indicated by the scale and the depth-of-cut gauge. Preset the planer to the desired thickness of the finished workpiece using the gauge. The depth-of-cut is adjusted by raising or lowering the planer table (C, Fig. 5) using the handwheel (F, Fig. 5).

The quality of thickness planning depends on the operator's judgment about the depth of cut.

The depth of cut depends on the width, hardness, dampness, grain direction and grain structure of the wood.

The maximum thickness of wood that can be removed in one pass is 3mm for planing operations on workpieces up to 140mm wide.

The workpiece must be positioned away from the center tab on the rollercase to cut 1/8".

The maximum thickness of wood that can be removed in one pass is 1.5mm for planing operations on workpieces from 140mm up to 300mm wide.

For optimum planing performance, the depth of cut should be less than 1.5mm

The board should be planed with shallow cuts until the work has a level side. Once



a level surface has been created, flip the lumber and create parallel sides.

Plane alternate sides until the desired thickness is obtained. When half of the total cut has been taken from each side, the board will have a uniform moisture content and additional drying will not cause it to warp.

The depth of cut should be shallower when the workpiece is wider.

When planing hardwood, take light cuts or plane the wood in thin widths.

Make a test cut with a test piece and verify the thickness produced.

Check the accuracy of the test cut before working on the finished product.

### ***Precautions***

A thickness planer is a precision woodworking machine and should be used on quality lumber only.

Do not plane dirty boards; dirt and small stones are abrasive and will wear out the blade.

Remove nails and staples. Use the planer to cut wood only.

Avoid knots. Heavily cross-grained wood makes knots hard. Knots can come loose and jam the blade. Any article that encounters planer blades may be forcibly ejected from the planer creating a risk of injury.

### ***Preparing the Work***

A thickness planer works best when the lumber has at least one flat surface. Use a jointer to create a flat surface.

Twisted or severely warped boards can jam the planer. Rip the lumber in half to reduce the magnitude of the warp.

The work should be fed into the planer in the same direction as the grain of the wood. Sometimes the wood will change directions in the middle of the board. In such cases, if possible, cut the board in the middle so the grain direction is correct.

**Do not plane a board that is less than 6" long. It is recommended that when planing short boards you butt them end to end to avoid kickback and reduce snipe.**

### ***Feeding the Work***

The planer is supplied with planer blades mounted in the cutterhead and infeed and outfeed rollers adjusted to the correct height. The planer feed is automatic; it will vary slightly depending on the type of wood.

Preparation:

Feed rate refers to the rate at which the lumber travels through the planer.

The operator is responsible for aligning the work so it will feed properly.

Raise or lower the roller case to get the depth of cut desired.

The surface that the planer produces will be smoother if a shallower depth of cut is used.

Stand on the side that the handle is attached.

Boards longer than 600mm should have additional infeed and outfeed support, like material stands.

Planing:

1. Position the workpiece with the face to be planed on top.
2. Turn the planer on.
3. Turn the power feed on.

4. Rest the board end on the infeed roller plate and direct the board into the planer.
5. Slide the workpiece into the infeed side of the planer until the infeed roller begins to advance the workpiece.
6. Let go of the workpiece and allow the automatic feed to advance the workpiece.
7. Do not push or pull on the workpiece. Move to the rear and receive the planed lumber by grasping it in the same manner that it was fed.

**To avoid the risk of injury due to kickbacks, do not stand directly in line with the front or rear of the planer.**

8. Do not grasp any portion of the board that has not gone past the outfeed roller.
9. Repeat this operation on all of the boards that need to be the same thickness.

### ***Avoiding Snipe***

Snipe refers to a depression at either end of the board caused by an uneven force on the cutterhead when the work is entering or leaving the planer.

Snipe will occur when the boards are not supported properly or when only one feed roller is in contact with the work at the beginning or end of the cut.

Precautions for avoiding snipe:

Push the board up while feeding the work until the outfeed roller starts advancing it.

Move to the rear and receive the planed board by pushing it up when the infeed roller loses contact with the board.

When planing more than one board of the same thickness, butt the boards together to avoid snipe.

Make shallow cuts. Snipe is more apparent when deeper cuts are taken.

Feed the work in the direction of the grain. Work fed against the grain will have chipped, splintered edges.

## **Maintenance**

### **Blade Care**

**Blades are extremely sharp! Use caution when cleaning or changing. Failure to comply may cause serious injury!**

The condition of the blades will affect the precision of the cut. Observe the quality of the cut that the planer produces to check the condition of the blades.

Dull blades will tear, rather than cut the wood fibers and produce a fuzzy appearance.

Raised grain will occur when dull blades pound on wood that has varying density. A raised edge will also be produced where the blades have been nicked. When gum and pitch collect on the blades, carefully remove with a strong solvent. Failure to remove gum and pitch build up may result in excessive friction, blade wear and overheating. When blades become dull, touch up blades. See Sharpening the Knives.

### **Sharpening the Knives**

**Blades are extremely sharp! Use caution when handling. Failure to comply may cause serious injury!**

This machine is fitted with individual cutter knives, and no sharpening is necessary, or advised. Dull blades should be rotated to present a sharp edge, or replaced.

## **Lubrication**

Use a good grade of light grease on the steel adjusting screws located in the raising and lowering mechanisms of the work tables.

The cutterhead ball bearings are lifetime lubricated and need no further care.

## **Troubleshooting**

### **Performance Troubleshooting – Joints**

# Troubleshooting

## Performance Troubleshooting – Jointer

Trouble	Probable Cause	Remedy
Finished stock is concave on back end.	Knife is higher than outfeed table.	Align cutterhead knives with outfeed table. See <i>Setting Cutterhead Knives</i> .
Finished stock is concave on front end.	Outfeed table is higher than knife.	Align cutterhead knives with outfeed table. See <i>Setting Cutterhead Knives</i> .
Chip out.	Cutting against the grain.	Cut with the grain whenever possible.
	Dull knives.	Sharpen or replace knives.
	Feeding workpiece too fast.	Use slower rate of feed.
	Cutting too deeply.	Make shallower cuts.
	Knots, imperfections in wood.	Inspect wood closely for imperfections; use different stock if necessary.
Fuzzy grain.	Wood has high moisture content.	Allow wood to dry or use different stock.
	Dull knives.	Sharpen or replace knives/inserts.
Cutterhead slows while operating.	Feeding workpiece too quickly, or applying too much pressure to workpiece.	Feed more slowly, or apply less pressure to workpiece.
"Chatter" marks on workpiece.	Knives incorrectly set.	Set knives properly as described in the <i>Setting Cutterhead Knives</i> section. Check that knife slots are clean and free of dust or debris.
	Feeding workpiece too fast.	Feed workpiece slowly and consistently.
Uneven knife marks on workpiece.	Knives are nicked, or out of alignment.	Align knives per the <i>Setting Cutterhead Knives</i> section. Replace nicked knives.

## Performance Troubleshooting – Planer

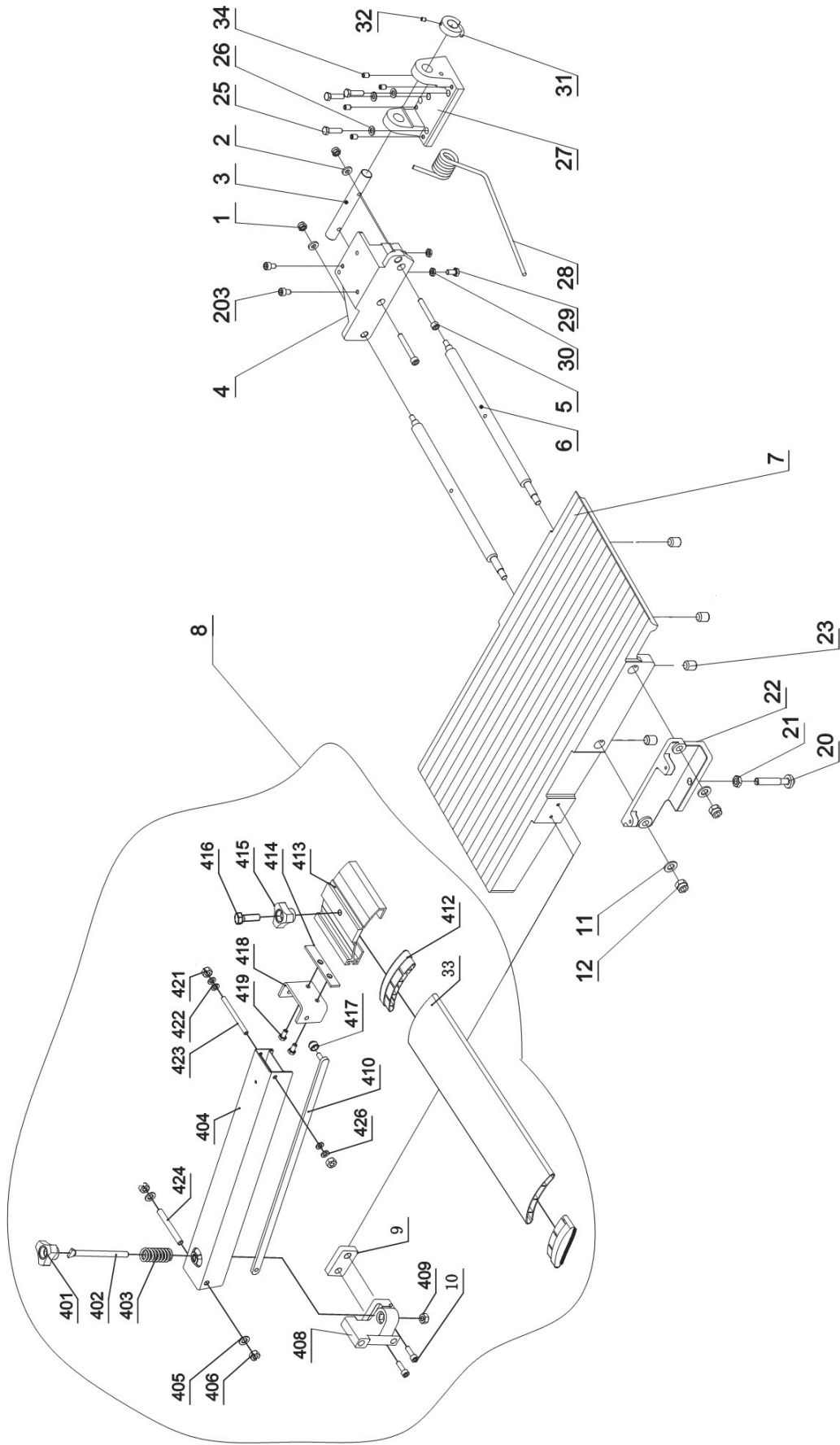
Trouble	Probable Cause	Remedy
Snipe  Note: Snipe can be minimized but not eliminated	Table rollers not set properly.	Adjust rollers to proper height
	Inadequate support of long boards.	Support long boards with extension rollers.
	Uneven feed roller pressure front to back.	Adjust feed roller tension
	Dull knives.	Sharpen knives.
	Lumber not butted properly.	Butt end to end each piece of stock as they pass through.
Fuzzy Grain	Planing wood with high moisture content.	Remove high moisture content from wood by drying.
	Dull knives.	Sharpen or replace.
Torn Grain	Too heavy a cut.	Adjust proper depth of cut
	Knives cutting against grain.	Cut along the grain.
	Dull knives.	Sharpen knives.
Rough/Raised Grain	Dull knives.	Sharpen knives.
	Too heavy a cut.	Adjust proper depth.
	Moisture content too high.	Remove high moisture content from wood by drying.
Rounded, glossy surface	Dull knives.	Sharpen or replace knives.
	Feed speed too slow.	Increase speed.
	Cutting depth too shallow.	Increase depth.
Poor feeding of lumber.	Inadequate feed roller pressure.	Adjust feed roller tension. If proper tension cannot be achieved, replace feed rollers
	Planer bed rough or dirty.	Clean pitch and residue, and wax planer table.
	Transmission v-belt slipping.	Tighten transmission v-belt.
	Surface of feed rollers clogged.	Clear pitch and residue out of teeth.
Uneven depth of cut side to side.	Knife projection.	Adjust knife projection.
	Cutterhead not level with bed.	Level bed.
Board thickness does not match depth of cut scale.	Depth of cut scale incorrect.	Adjust depth of cut scale.

## Mechanical Troubleshooting – Planer/Joiner

Trouble	Probable Cause	Remedy
Chain jumping.	Inadequate tension.	Adjust chain tension.
	Sprockets misaligned.	Align sprockets
	Sprockets worn.	Replace sprockets.
Machine will not start/ restart or repeatedly trips circuit breaker or blows fuses.	No incoming power.	Verify unit is connected to power, on-button is pushed in completely, and stop-button is disengaged.
	Overload automatic reset has not reset	When planer overloads on the circuit breaker built into the motor starter, it takes time for the machine to cool down before restart. Allow unit to adequately cool before attempting restart. If problem persists, check amp setting on the motor starter inside the electrical box.
	Planer frequently trips.	One cause of overloading trips, which are not electrical in nature, is too heavy a cut. The solution is to take a lighter cut. If too deep a cut is not the problem, then check the amp setting on the overload relay. Match the full load amps on the motor as noted on the motor plate. If the amp setting is correct then there is probably a loose electrical lead. Check amp setting on motor starter.
	Building circuit breaker trips or fuse blows.	Verify that planer is on a circuit of correct size. If circuit size is correct, there is probably a loose electrical lead. Check amp setting on motor starter.
	Loose electrical connections.	Go through all the electrical on the planer including motor connections, verifying the tightness of each. Look for any signs of electrical arcing which is a sure indicator of loose connections or circuit overload.
	Motor starter failure.	Examine motor starter for burned or failed components. If damage is found, replace motor starter. If motor starter looks okay but is still suspect, you have two options: have a qualified electrician test the motor starter for function, or purchase a new starter and establish if that was the problem on changeout
	Switch or Motor failure – how to distinguish	If you have access to a voltmeter, you can separate a starter failure from a motor failure by first, verifying incoming voltage at 220+/-20 and second, checking the voltage between starter and motor at 220+/-20. If incoming voltage is incorrect, you have a power supply problem. If voltage between starter and motor is incorrect, you have a starter problem. If voltage between starter and motor is correct, you have a motor problem.
	Motor failure.	If electric motor is suspect, you have two options: Have a qualified electrician test the motor for function or remove the motor and take it to a quality electric motor repair shop and have it tested.
	Miswiring of the unit.	Double check to confirm all electrical connections are correct and properly tight. The electrical connections other than the motor are pre-assembled and tested at the factory. Therefore, the motor connections should be double checked as the highest probability for error. If problems persist, double-check the factory wiring.



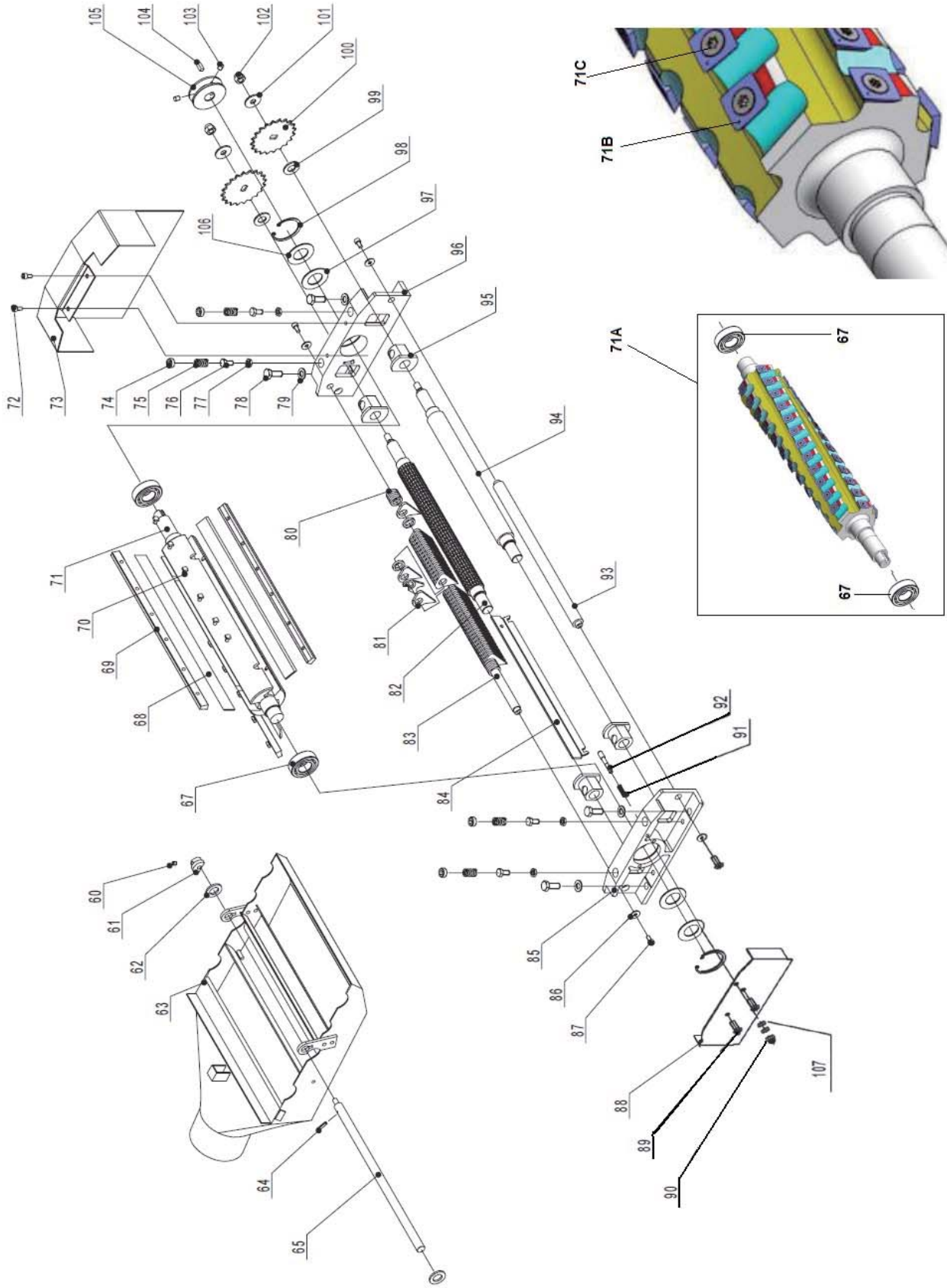
# TJ-X250C Cutterblock Guard and Outfeed Assembly



## TJ-X250C Cutterblock Guard and Outfeed Assembly

Index No.	Part No.	Description	Size	Qty
1	JPT310-001	Lock Nut	M8	4
2	JPT310-002	Washer	H8	4
3	JPT310-003	Outfeed Table Bracket Shaft		1
4	JPT310-004	Outfeed Table Bracket Right		1
5	JPT310-005	Hex. Socket Cap Screw	M8X60	4
6	PT260-006	Eccentric Shaft		4
7	PT260-007	Outfeed/Infeed Table		2
8	PT260-008	Cutterblock Guard Assembly		1
9	JPT310-009	Cutterblock Guard Bracket		1
10	JPT310-010	Hex. Socket Cap Screw	M6X30	2
11	JPT310-011	Washer	H12	4
12	JPT310-012	Lock Nut	M12	4
13	JPT310-013	Hex. Socket Cap Screw	M6X20	2
14	JPT310-014	Adjusting Handle		1
15	JPT310-015	Knob		1
16	JPT310-016	Special Screw		1
17	JPT310-017	Special Screw		1
18	JPT310-018	Eccentric Shaft Bracket		1
19	JPT310-019	Eccentric Shaft Clamp		1
20	JPT310-020	Table Locking Shaft		2
21	JPT310-021	Hex. Nut	M12	2
22	JPT310-022	Outfeed Table Bracket Left		1
23	JPT310-023	Hex. Socket Set Screw	M8X10	8
24	JPT310-024	Plastic Disc	D6	8
25	JPT310-025	Hex. Bolt	M8X30	6
26	JPT310-026	Washer	H8	6
27	JPT310-027	Outfeed Table Support		2
28	JPT310-028	Spring		2
29	JPT310-029	Hex. Bolt	M8X16	2
30	JPT310-030	Hex. Nut	M8	5
31	JPT310-031	Big Cam Wheel for Safty Switch		1
32	JPT310-032	Hex. Socket Set Screw	M6X8	2
33	PT260-033	Cutterblock Guard Profile W/Cap		1
34	JPT310-034	Hex. Socket Set Screw	M8X12	8
35	JPT310-035	Nylon Bolt		1
36	JPT310-036	Lock Knob		1
401	JPT310-401	Lock Knob		1
402	JPT310-402	Lead Screw		1
403	JPT310-403	Spring		1
404	JPT310-404	Bracket for Guard		1
405	JPT310-405	Washer	5	2
406	JPT310-406	Lock Nut	M5	2
408	JPT310-408	Locking Support		1
409	JPT310-409	Hex. Nut	M8	1
410	JPT310-410	Long Shaft		1
412	JPT310-412	Fixed Press Paw		2
413	JPT310-413	Guard Plate Cover		1
414	JPT310-414	Lock Plate		1
415	JPT310-415	Knob		1
416	JPT310-416	Nylon Bolt		1
417	JPT310-417	Lock Nut	M6	1
418	JPT310-418	Bracket		1
419	JPT310-419	Hex. Nut	M5	2
421	JPT310-421	Lock Nut	M6	2

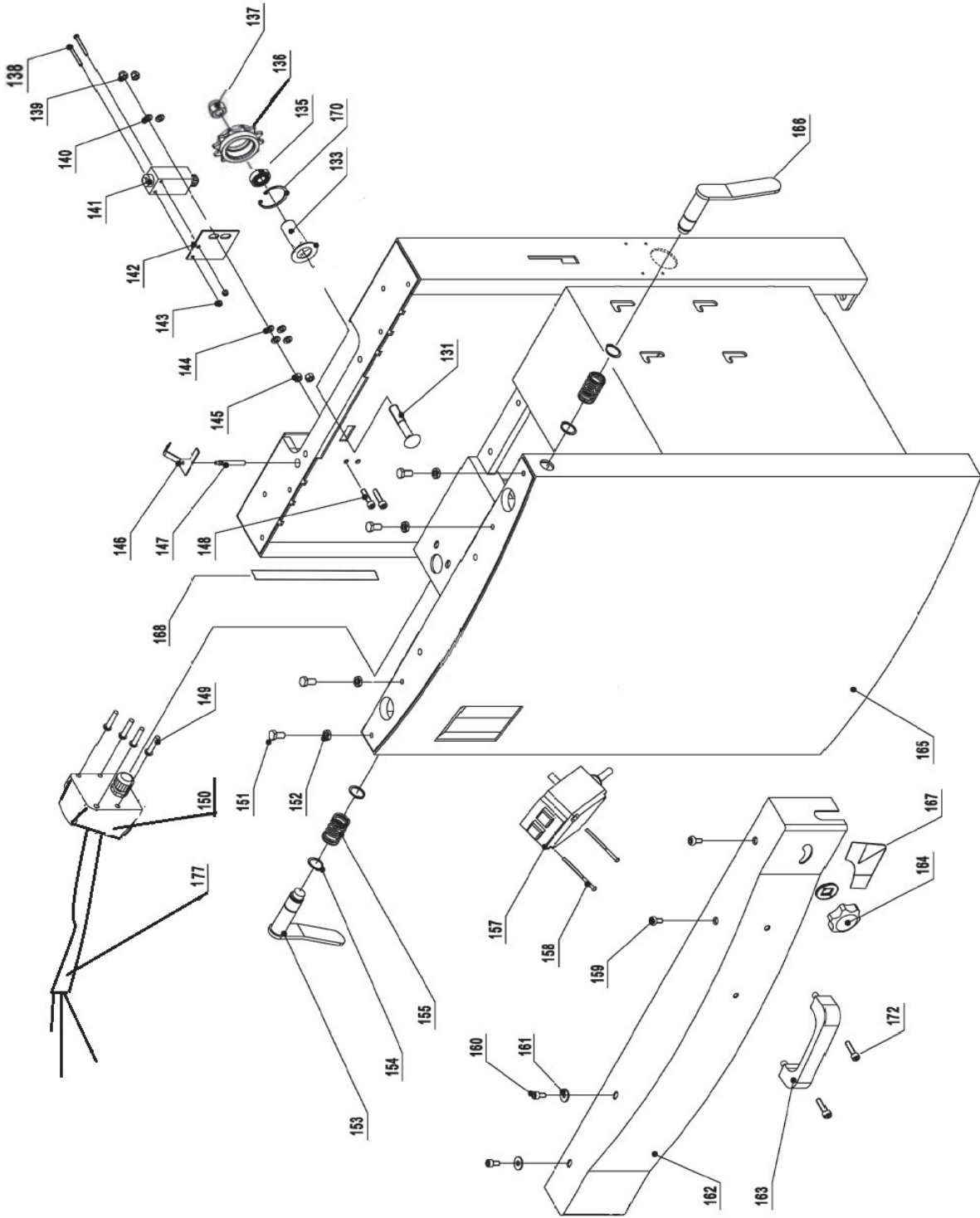
# TJ-X250C Cutterblock assembly



## TJ-X250C Cutter Block assembly

Index No.	Part No.	Description	Size	Qty
60	JPT310-060	Hex.Socket Set Screw	M6X8	1
61	JPT310-061	Small Cam Wheel for Safty Switch		1
62	JPT310-062	Washer	H14	2
63	PT260-063	Dust Collector Assembly		1
64	JPT310-064	Pin Roll	N5X18	1
65	PT260-065	Shaft		1
66	JPT310-066	Washer	H16	2
67	JPT310-067	Bearing	6205-2Z	2
68	PT260-068	Knife		3
69	PT260-069	Knife Locking Bar		3
70	JPT310-070	Special Screw for Locking Bar		15
71	PT260-071	Cutter Block		1
	PT260-071CBA	Cutter Block Complete Assembly (#68, #69, #70, #71)		1
<b>Indicates Helical Cutterhead ----- Complete Cutterhead Assembly</b>				
71A	PT260-071A	Cutterhead, Helical with Inserts (67#, #71A Thru #71D)		1
71B	JPT310-071B	Knife Insert (set of 10)		44
71C	JPT310-071C	Knife Insert Screw		44
71D	JPT310-071D	Start Point Screwdriver (not shown)		2
72	JPT310-072	Pan Head Screw	M6X12	4
73	JPT310-073	Belt Cover		1
74	JPT310-074	Screw		4
75	JPT310-075	Spring		4
76	JPT310-076	Hex. Bolt	M8X16	4
77	JPT310-077	Hex. Nut	M8	4
78	JPT310-078	Hex. Bolt	M10X25	4
79	JPT310-079	Washer	H10	4
80	JPT310-080	Adjusting Washer		27
81	JPT310-081A	Anti-Kickback Finger		18
82	PT260-082	Infeed Roller		1
83	PT260-083	Anti-Kickback Shaft		1
84	PT260-084	Cutterblock Cover		1
85	JPT310-085	Cutterblock Bracket-Right		1
86	JPT310-086	Washer	M6	4
87	JPT310-087	Hex. Socket Cap Screw	M6X12	4
88	JPT310-088	Cutterblock Bracket Cover		1
89	JPT310-089	Pan Head Screw	M6X12	2
90	JPT310-090	Cap Nut	M6	1
91	JPT310-091	Spring		1
92	JPT310-092	Pin Stop for Dust Collector		1
93	PT260-093	Support Rod		1
94	PT260-094	Outfeed Roller (Rubber)		1
95	JPT310-095	Tube (Powder Metal Bushing)		4
96	JPT310-096	Cutterblock Bracket-Left		1
97	JPT310-097	Wave Washer	D52	2
98	JPT310-098	Retaining Ring	CLP52	2
99	JPT310-099	Washer	H14	2
100	JPT310-100	Drive Chain Sprocket		2
101	JPT310-101	Washer	H10	2
102	JPT310-102	Lock Nut	M10	2
103	JPT310-103	Hex. Socket Set Screw	M8X6	2
104	JPT310-104	Key	PLN6X16	1
105	JPT310-105	Spindle Pulley		1
106	JPT310-106	Washer	D52	4
107	JPT310-107	Hex. Nut	M6	2

# TJ-X250C Base Assembly

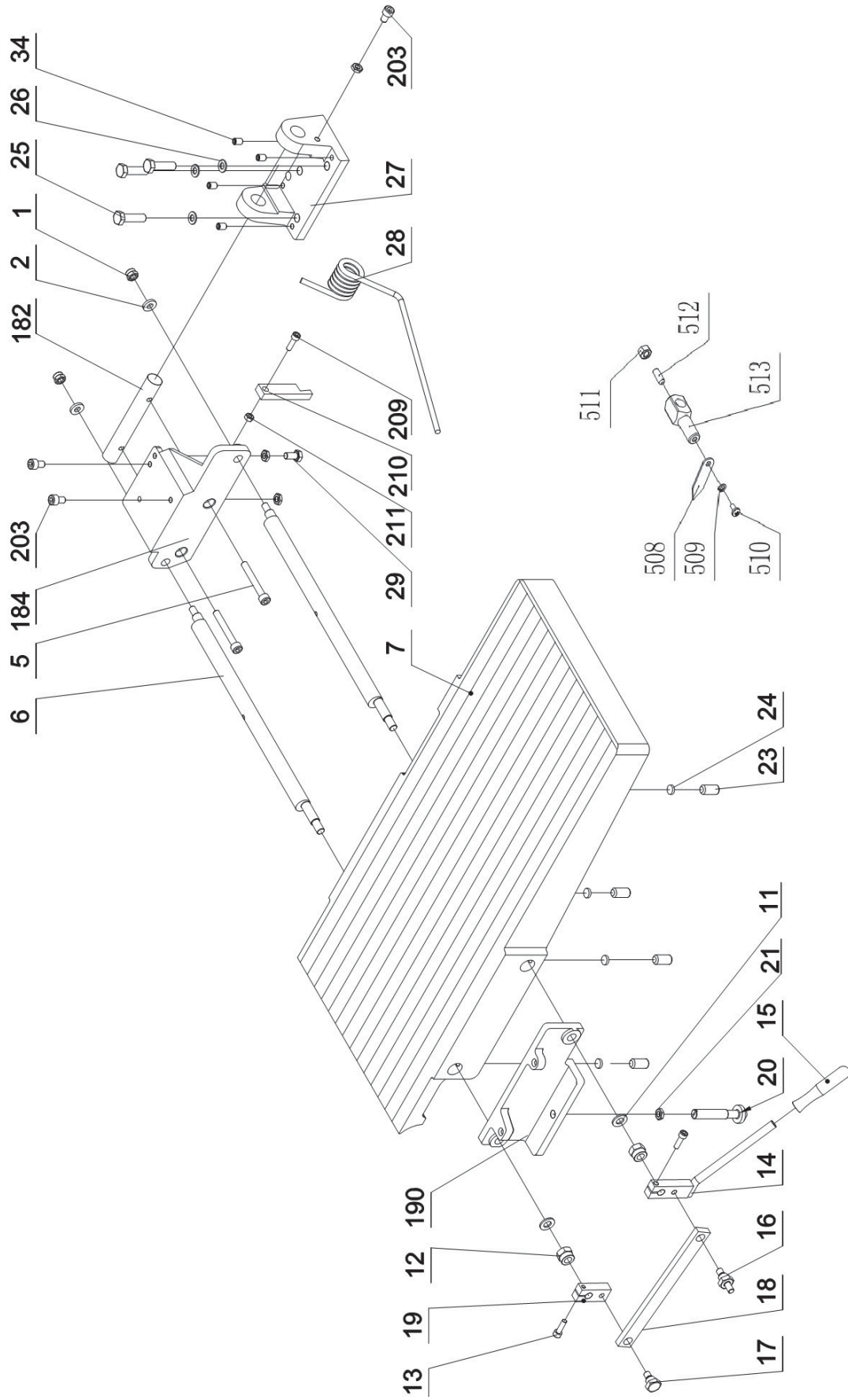


## TJ-X250C Base Assembly

Index No.	Part No.	Description	Size	Qty
131	JPT310-131	Carriage Bolt	M12X65	1
133	JPT310-133	Tube		1
135	JPT310-135	Bearing	6001-2Z	1
136	JPT310-136	Chain Tension Wheel		1
	JPT310-136A	Chain Tension Wheel Assembly (#131-#137, #170, #171)		1
137	JPT310-137	Lock Nut	M12	1
138	JPT310-138	Pan Head Screw	M4X35	2
139	JPT310-139	Lock Nut	M6	2
140	JPT310-140	Washer	H6	10
141	JPT310-141	Safety Switch		1
142	JPT310-142	Safety Switch Bracket		1
143	JPT310-143	Lock Nut	M4	2
144	JPT310-144	Washer	H6	4
145	JPT310-145	Hex. Nut	M6	2
146	JPT310-146	Safety Switch Rocker		1
147	JPT310-147	Safety Switch Rocker Shaft		1
148	JPT310-148	Hex. Socket Cap Screw	M6X25	2
149	JPT310-149	Pan Head Screw	M4X16	4
150	JPT310-150E	Plug Box		1
151	JPT310-151	Special Bolt		4
152	JPT310-152	Hex. Nut	M8	4
153	JPT310-153	Lock Handle For Outfeed Table		1
154	JPT310-154	Retaining Ring	CLP20	4
155	JPT310-155	Spring		2
156	JPT310-156	Direction Label		1
157	JPT310-157E	Switch 230/50/1		1
158	JPT310-158	Pan Head Screw	N4X15	2
159	JPT310-159	Pan Head Screw	M6X16	2
160	JPT310-160	Pan Head Screw	M6X12	2
161	JPT310-161	Washer	H6	7
162	PT260-162	Front Cover		1
163	JPT310-163	Handle		1
164	JPT310-164	Lock Knob		4
165	PT260-165	Cabinet		1
	PT260-165CC	Cabinet Cover (Not Shown)		1
166	JPT310-166	Lock Handle For Infeed Table		1
167	JPT310-167	Infeed Scale		1
168	JPT310-168	Thickness Scale		1
169	JPT310-169	Washer	H8	1
170	JPT310-170	Retaining Ring	D28	1
171	JPT310-171	Washer	H12	1
172	JPT310-172	Hex Socket Head Screw	M8X20	2
177	JPT310-177	Plug		1
422	JPT310-422	Nylon Washer	6	2
423	JPT310-423	Shaft (M6)		1
424	JPT310-424	Shaft (M8)		1
426	JPT310-426	Washer	6	2



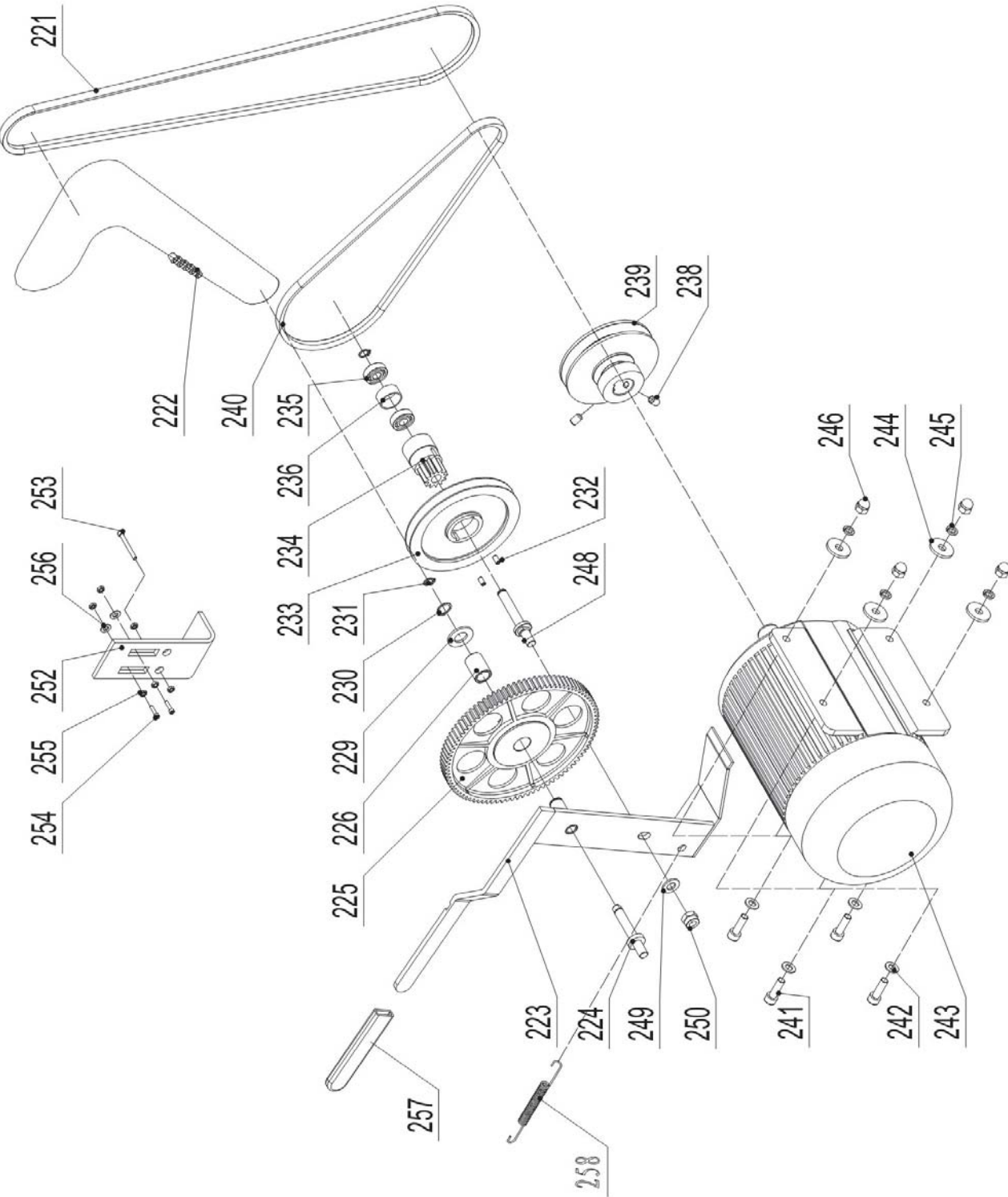
# TJ-X250C Infeed Table Assembly



## TJ-X250C Infeed Table Assembly

Index No.	Part No.	Description	Size	Qty
182	JPT310-182	Outfeed Table Bracket Shaft		1
184	JPT310-184	Infeed Table Bracket Right		1
190	JPT310-190	Infeed Table Bracket Left		1
203	JPT310-203	Hex. Socket Cap Screw	M8X10	1
209	JPT310-209	Hex. Socket Cap Screw	M8X35	1
210	JPT310-210	Table Stopper		1
211	JPT310-211	Hex. Nut	M8	3
508	JPT310-508	Pointer		1
509	JPT310-509	Spring washer	H4	1
510	JPT310-510	Screw	M4X8	1
511	JPT310-511	Hex. Nut	M6	1
512	JPT310-512	Set Screw	M6X16	1
513	JPT310-513	Support pole		1

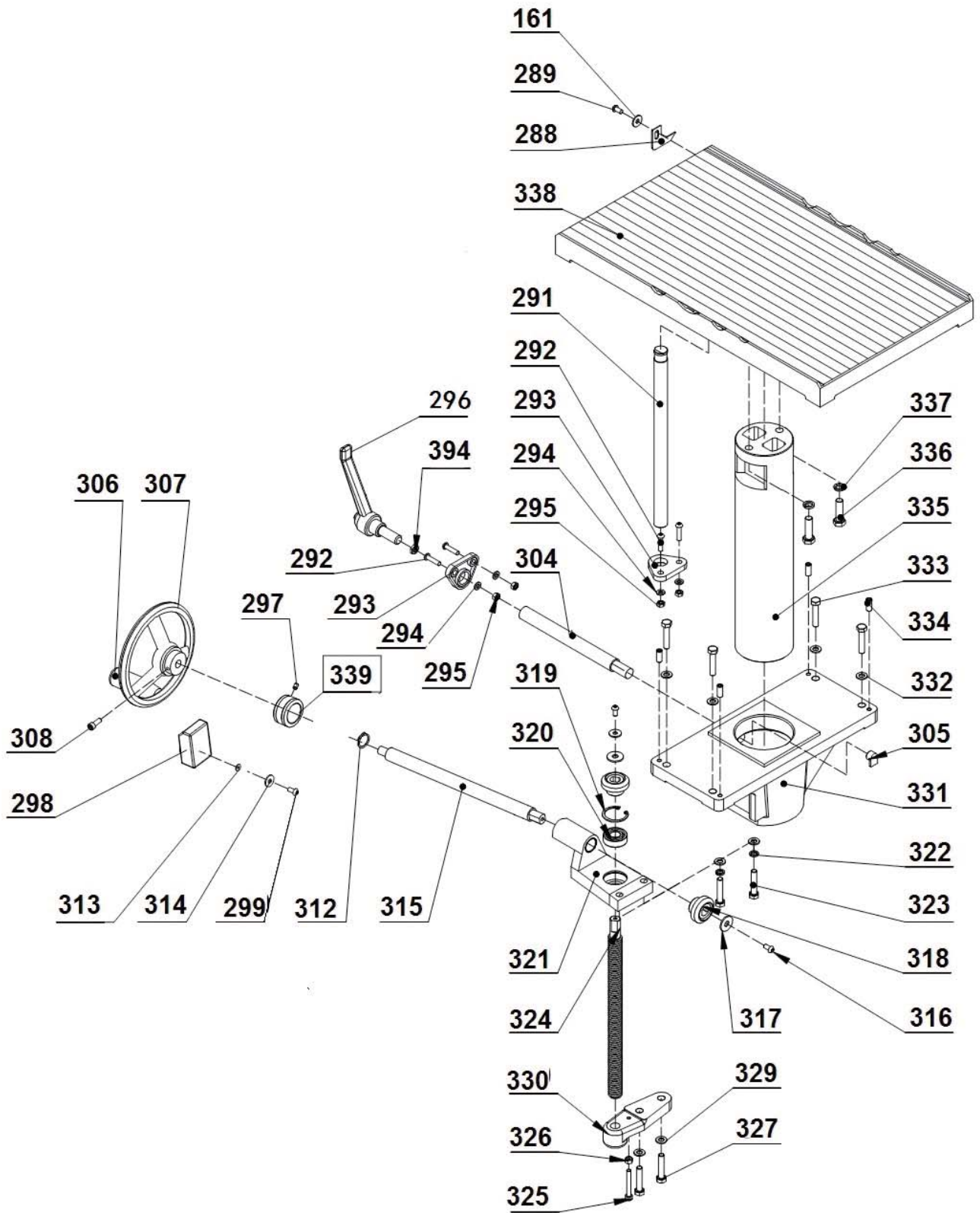
TJ-X250C Drive and Motor Assembly



## TJ-X250C Drive and Motor Assembly

Index No.	Part No.	Description	Size	Qty
221	JPT310-221	V-Belt for Cutterblock 50Hz	A1194	1
222	JPT310-222	Drive Chain		1
223	JPT310-223	Cam Wheel Bracket		1
224	JPT310-224	Cam Wheel Shaft		1
225	JPT310-225A	Plastic Gear Wheel Assembly		1
226	JPT310-226	Bearing	61902	2
229	JPT310-229	Washer		1
230	JPT310-230	Retaining Ring	CLP15	1
231	JPT310-231	Retaining Ring	CLP10	2
232	JPT310-232	Hex. Socket Set Screw	M5X10	2
233	PT310W-233	Pulley for Feed Roller		1
234	JPT310-234	Cam Wheel		1
235	JPT310-235	Bearing	6000-2Z	2
236	JPT310-236	Spacer Bearing		1
238	JPT310-238	Hex. Socket Set Screw	M8X12	2
239	PT310W-239	Motor Pulley		1
240	PT310W-240	Micro-V-Belt for Feed Roller		1
241	JPT310-241	Hex. Bolt	M8X25	4
242	JPT310-242	Washer	H8	4
243	PT260-010E	Motor 230/50/1		1
244	JPT310-244	Washer	H8	4
245	JPT310-245	Spring Washer	H8	4
246	JPT310-246	Cap Hex. Nut	M8	4
248	JPT310-248	Shaft		1
249	JPT310-249	Spring Washer	H10	1
250	JPT310-250	Hex Nut	M10	1
252	JPT310-252	Plate		1
253	JPT310-253	Hex Cap Screw	M6x60	1
254	JPT310-254	Hex Cap Screw	M6x25	2
255	JPT310-255	Hex Nut	M6	6
256	JPT310-256	Flat Washer	M6	2
257	JPT310-257	Rubber Handle		1
258	JPT310-258	Tension Spring		1

# TJ-X250C Thickness Table Assembly

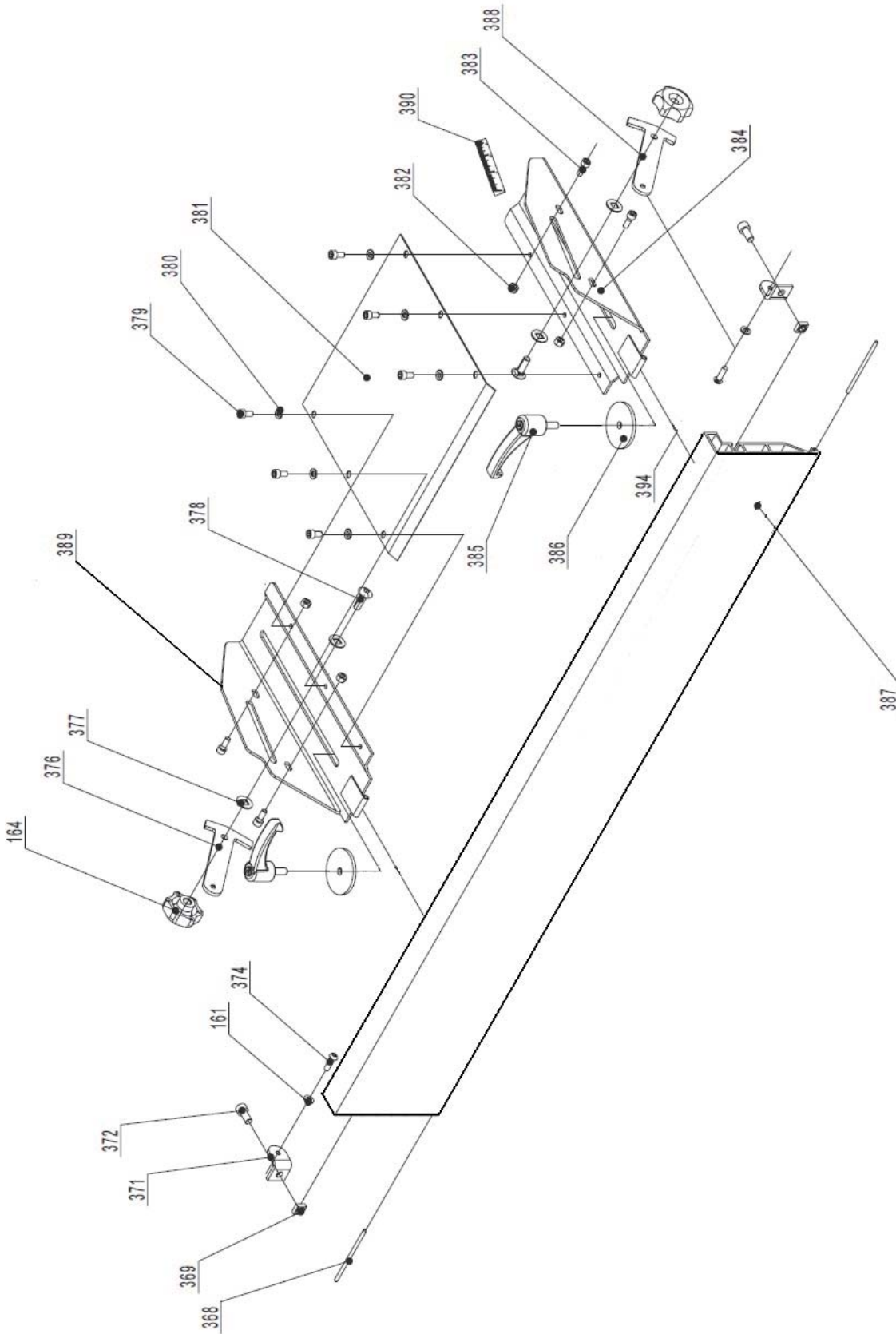


## TJ-X250C Thickness Table Assembly

Index No.	Part No.	Description	Size	Qty
288	JPT310-288	Indicator		1
289	JPT310-289	Screw	M6x12	1
290	JPT310-290	Hex. Socket Set Screw	M8x12	1
291	JPT310-291	Thickness Table Guide Bar		1
292	JPT310-292	Hex. Socket Cap Screw	M6x20	2
293	JPT310-293	Guide Bar Bracket		2
294	JPT310-294	Washer	H6	2
295	JPT310-295	Hex. Nut	M6	2
296	JPT310-296	Lock handle		1
298	JPT310-298	Indicator Seat		1
299	JPT310-299	Screw	M6x20	2
304	JPT310-304	Locking Bar		1
305	JPT310-305	Locking Shoe		1
306	JPT310-306	Crank Handle		1
307	PT260-307	Crank Hand wheel		1
308	PT260-308	Hex. Socket Cap Screw	M8x16	1
312	JPT310-312	Retaining Ring	Clp20	1
313	JPT310-313	Washer	B8	1
314	JPT310-314	Washer	H8	1
315	JPT310-315	Crank Bar		1
316	JPT310-316	Pan Head Screw	M6x12	2
317	JPT310-317	Washer	M6	2
318	JPT310-318	Bevel Gear		2
319	JPT310-319	Retaining Ring	Clp35	1
320	JPT310-320	Bearing	6202-2Z	1
321	JPT310-321	Bevel Gear Bracket		1
322	JPT310-322	Washer	H8	8
323	JPT310-323	Hex. Bolt	M8x35	8
324	JPT310-324	Thread Rod		1
325	JPT310-325	Hex. Bolt	M6x45	1
326	JPT310-326	Hex. Nut	M6	1
327	JPT310-327	Hex. Bolt	M8x35	2
329	JPT310-329	Washer	H8	2
330	JPT310-330	Thread Rob Bracket		1
331	PT260-331	Column Support		1
333	JPT310-333	Hex. Socket Set Screw	M8x20	5
335	JPT310-335	Column		1
336	JPT310-336	Hex. Bolt	M10x35	2
337	JPT310-337	Spring Washer	H10	2
338	PT260-338	Thickness Table		1
339	JPT310-339	Scale Ring Assembly		1



# TJ-X250C Working Fence Assembly



## TJ-X250C Working Fence Assembly

Index No.	Part No.	Description	Size	Qty
368.....	JPT310-368 .....	Pin for Hinge .....		1
369.....	JPT310-369 .....	Square Nut.....	M8 .....	2
370.....	JPT310-370 .....	Lock Nut.....	M6 .....	6
371.....	JPT310-371 .....	Fence Mounting Bracket.....		2
372.....	JPT310-372 .....	Hex. Bolt .....	M8X16.....	2
374.....	JPT310-374 .....	Hex. Socket Cap Screw .....	M6X16.....	2
376.....	JPT310-376 .....	Fence Support-Right.....		1
377.....	JPT310-377 .....	Nylon Washer .....		9
378.....	JPT310-378 .....	Carriage Bolt .....	M8X25.....	2
379.....	JPT310-379 .....	Pan Head Sscrew .....	M6X12.....	6
380.....	JPT310-380 .....	Washer.....	H6.....	6
381.....	PT260-381 .....	Cutterblock Cover .....		1
382.....	JPT310-382 .....	Lock Nut.....	M6 .....	4
383.....	JPT310-383 .....	Hex. Socket Cap Screw .....	M6X10.....	4
384.....	PT260-384 .....	Fence Bracket-Left.....		1
385.....	JPT310-385 .....	Lock Handle .....		3
386.....	JPT310-386 .....	Special Washer .....		2
387.....	PT260-387 .....	Fence .....		1
388.....	JPT310-388 .....	Fence Support-Left .....		1
389.....	PT260-389 .....	Fence Bracket-Right .....		1
390.....	JPT310-390 .....	Fence Scale .....		1
391.....	JPT260-391 .....	Complete Fence Assembly (#368 Thru #390) .....		1

**3**

**YEAR**

**WARRANTY**

## 1. WARRANTY

- (a) We warrant that this **carbatec** product will be free from defects caused by faulty workmanship or faulty materials for a period of 3 years from date of sale.
- (b) This warranty is in addition to other rights and remedies you may have under a law in relation to the goods.
- (c) This warranty does not apply in any of the following cases:
- (i) defects arising from:
    - (1) fair wear and tear;
    - (2) corrosive atmosphere;
    - (3) damage or injury caused by deliberate act, lack of care or failure to comply with the recommended care and maintenance for the goods;
    - (4) improper use of the goods;
    - (5) alterations or repairs (not made by us) to the goods;
  - (ii) defects arising from an event outside of our control such as fire, flood, earthquake or other natural calamity, motor vehicle or other accident, strike, civil unrest, terrorism or war;
  - (iii) to accessory items such as after-market jigs, accessories or other items which are not sold or serviced by us and which are not sold with or were not included with the main unit purchased; or
  - (iv) to wearable parts such as drive belts/shafts, bearings, bandsaw tyres, motor brushes, blades or abrasive belts/discs or other cutting or machining implements.
  - (v) damage caused to any electrical component, where connected to a power supply outside the country for which it was designed (namely Australia or New Zealand).
- (d) If this warranty applies and you have complied with the procedure below for making a claim, we will, at our election, either repair the goods (or those parts of the goods recognised as defective) or will provide a replacement within a reasonable time at our expense.
- (e) If this warranty applies, the procedure for making a claim is:
- (i) you must contact us by email;
  - (ii) you must include in the email the following information:
    - (1) a copy of the order or receipt for the goods;
    - (2) the serial or batch number printed on the machinery manufacturing plate; and
    - (3) a detailed description of the fault and how and when it arose; and
  - (iii) if the fault is a type covered by this warranty, we will then make arrangements with you for the return of the goods to us (for repair or replacement) at our cost using our transport providers or we may decide to attend at your premises to repair or replace the goods.
- (f) Our liability (and that of our resellers) under this warranty is wholly limited to repair or replacement of the goods (or those parts of the goods recognised as defective) in accordance with the procedure above and you have no right to other compensation, costs or damages under this warranty. But this does not mean that you may not have other rights under a law in relation to the goods.
- (g) If following our inspection of goods returned by you under this warranty it is found that this warranty does not apply and you are not otherwise entitled to repair or replacement by us, you must, if requested by us, reimburse our costs including parts, labour and freight.
- (h) This warranty is not transferable and only the person who purchased the goods may make a claim.
- (i) Where the goods have been exported outside Australia or New Zealand, the Company may not require the Purchaser to return any allegedly faulty or defective Product for evaluation. However, the Company has the right to request the return for evaluation at purchasers cost.

## 2. STATUTORY NOTICE

Our goods come with guarantees that cannot be excluded under the Australian Consumer Law. You are entitled to a replacement or refund for a major failure and for compensation for any other reasonably foreseeable loss or damage. You are also entitled to have the goods repaired or replaced if the goods fail to be of acceptable quality and the failure does not amount to a major failure.

## 3. CONTACT DETAILS

Carbatec Pty Ltd ABN 84 010 706 242

info@carbatec.com.au | Phone 1800.658.111 | www.carbatec.com.au

Carbatec Pty Ltd  
ABN 84 010 706 242

[info@carbatec.com.au](mailto:info@carbatec.com.au)

Phone: 1800 658 111  
128 Ingleston Road, Wakerley  
Queensland Australia 4154

[www.carbatec.com.au](http://www.carbatec.com.au)

carbatec